

# Instructions for Section C

**EXIT**

Times  
Materials  
Instructions  
Structure  
Section **A**

1 2  
3 4  
5 6  
7 8  
9 10  
11 12  
13 14  
15 16  
17 18  
19 20

Section **B**

1 2  
3 4  
5 6  
7 8  
9 10  
11 12  
13 14  
15

Section **C**

Introduction

1 2  
3 4  
5

Complete all five parts of this task.

You are required to complete this task using:

- the software applications installed on your computer
- the assets for the practical task contained in your practical work folder

Your answers to this section will **not** be saved automatically.

You must save your finished work to your practical work folder.

A shortcut to your practical work folder has been placed on the desktop. Use this shortcut to move from the exam to your practical work folder. The shortcut to your practical work folder is called:

'Shortcut to 12345678A\_P'

Remember to save your work at each step.

You should spend about 60 minutes on Section C.

**DO NOT RENAME THE PROVIDED PRACTICAL WORK FILES.**

**BACK****NEXT**

# Section C, introduction

**EXIT**

Times  
Materials  
Instructions  
Structure  
Section A

1 2  
3 4  
5 6  
7 8  
9 10  
11 12  
13 14  
15 16  
17 18  
19 20

Section B

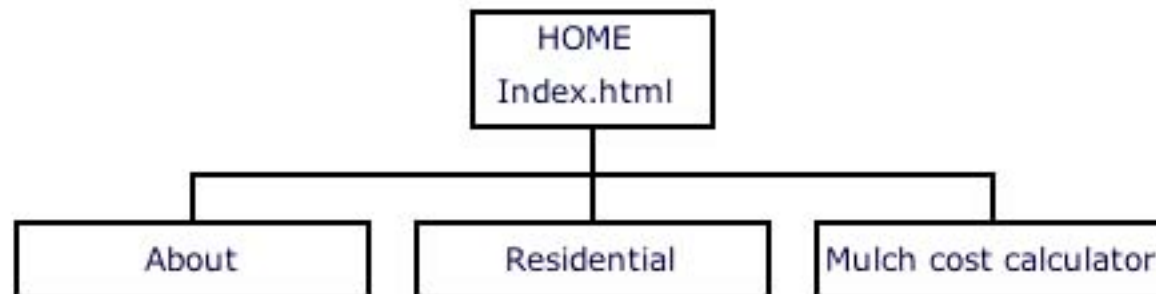
1 2  
3 4  
5 6  
7 8  
9 10  
11 12  
13 14  
15

Section C

Introduction

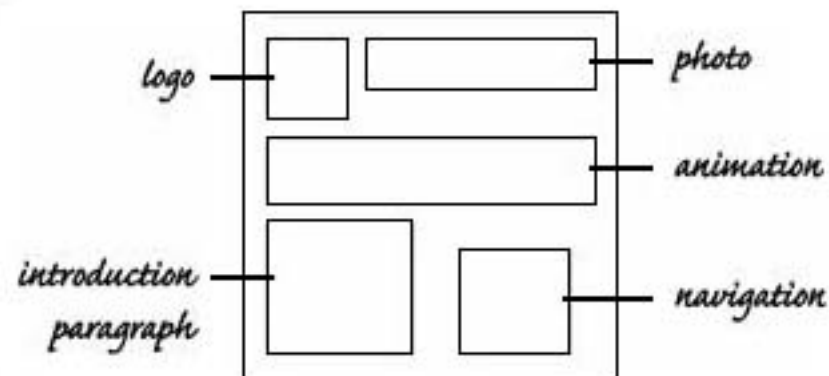
1 2  
3 4  
5

Your client – Plantscape, a garden design company – has partly completed their web site. Its structure is shown below.



The company wants you to develop the content, manipulate and insert images, create an online mulch calculator, develop an animated figure and create the navigation for the site.

The components to be included on the home page are shown below. **This is not the required layout**, but each element must be included.

**BACK****NEXT**

## Section C, Part 1

EXIT

**Write and include copy; design page layout**

Write a short introduction to the site for the home page.

The text should be targeted to customers looking for landscaping and design services.

The following information (partly completed pages) is provided in your practical work folder.

*index.html*

Click to read this text

*about.html*

Click to read this text

*residential.html*

Click to read this text

*mulch\_cost\_calculator.html*

Click to read this text

- 1 Write a one paragraph introduction. The text should summarise information on the other pages. 3 marks
- 2 Insert the introduction in the home page (index.html). 1 mark
- 3 Design the layout of your home page so it is usable. 1 mark

Total 5 marks

Times

Materials

Instructions

Structure

Section A

1 2

3 4

5 6

7 8

9 10

11 12

13 14

15 16

17 18

19 20

Section B

1 2

3 4

5 6

7 8

9 10

11 12

13 14

15

Section C

Introduction

1 2

3 4

5

BACK

NEXT

## Section C, Part 2

EXIT

Times  
Materials  
Instructions  
Structure  
Section A

1 2  
3 4  
5 6  
7 8  
9 10  
11 12  
13 14  
15 16  
17 18  
19 20

Section B

1 2  
3 4  
5 6  
7 8  
9 10  
11 12  
13 14  
15

Section C

Introduction

1 2  
3 4  
5

## Manipulate and insert images



These images are located in 'Assets\_Part2' in your practical work folder

- 4 Proportionally resize the photo (plantsphoto.tif) to 400 pixels in width and save it in a suitable format for the web. 2 marks
- 5 Remove the black outline in the logo (plantscape\_logo.tif) and save the logo in an appropriate format for the web. 2 marks
- 6 Insert each image in the home page (index.html). 2 marks

Total 6 marks

BACK

NEXT

# Section C, Part 3

**EXIT**

Times  
Materials  
Instructions  
Structure

**Section A**

1 2  
3 4  
5 6  
7 8  
9 10  
11 12  
13 14  
15 16  
17 18  
19 20

**Section B**

1 2  
3 4  
5 6  
7 8  
9 10  
11 12  
13 14  
15

**Section C**

Introduction

1 2  
3 4  
5

**Create navigation**

- 7 Create a suitable navigation system and embed in an appropriate place on the home page (index.html). Hyperlinks only are required.  
There is no need to do the same for the other pages.

4 marks

- 8 Links to other pages are required to operate.

1 mark

Total 5 marks

**BACK****NEXT**

## Section C, Part 4

EXIT

Times  
Materials  
Instructions  
Structure  
Section A

1 2  
3 4  
5 6  
7 8  
9 10  
11 12  
13 14  
15 16  
17 18  
19 20

Section B

1 2  
3 4  
5 6  
7 8  
9 10  
11 12  
13 14  
15

Section C

Introduction

1 2  
3 4  
5

**Create a script and incorporate into a web page**

The garden web site project you are working on is to include a page that allows users to calculate how much a certain quantity and quality of mulch would cost.

Note: Validation of input is not required.

- 9 Include on the page `mulch_cost_calculator.html` a suitable heading and an explanation of how to use the calculator. 2 marks
- 10 Construct a script to enable the user to enter a quantity of mulch in cubic metres. For example half a metre would be entered as 0.5. 1 mark
- 11 Enable the user to select the mulch quality from either filtered (priced at \$40 per metre) or unfiltered (priced at \$20 per metre). 1 mark
- 12 The script is to take the user's quantity and quality choices as input, calculate the cost, and show the cost on the page. 3 marks
- 13 Create a button to execute the script. 1 mark

Total 8 marks

BACK

NEXT

# Section C, Part 5

[EXIT](#)

Times  
Materials  
Instructions  
Structure  
Section A

1 2  
3 4  
5 6  
7 8  
9 10  
11 12  
13 14  
15 16  
17 18  
19 20

Section B

1 2  
3 4  
5 6  
7 8  
9 10  
11 12  
13 14  
15

Section C

Introduction

1 2  
3 4  
5

## 2D Animation



These images are located in 'Assets\_Part5' in your practical work folder

A short animation of a person pushing a wheelbarrow up a slope is to run on the home page (index.html).

**Use the blank file 'animation.fla' or 'animation.dir' provided in your practical work folder for this animation.**

- |    |  |         |
|----|--|---------|
| 14 | Draw the ground (with an upward slope) and sky, and colour the image.  | 3 marks |
| 15 | Import the wheelbarrow (wheelbarrow.png) and wheel (wheel.png).<br>Attach the wheel to the wheelbarrow.  | 2 marks |
| 16 | Import the person's body (body.png) and legs (near_leg.png and far_leg.png).<br>Remember the person is going to walk in the completed animation. | 1 mark  |
| 17 | The animation is to run about six seconds.   | 1 mark  |
| 18 | The person pushes the wheelbarrow up the slope from left to right.   | 3 marks |
| 19 | As the wheelbarrow is pushed, the wheel turns (multiple cycles).   | 2 marks |
| 20 | The person's legs cycle as the person walks.   | 2 marks |
| 21 | Include this animation in the home page (index.html) so that the animation runs on the home page.  | 2 marks |

Total 16 marks