



UNIVERSITY OF CAMBRIDGE INTERNATIONAL EXAMINATIONS
International General Certificate of Secondary Education

CANDIDATE
NAME

CENTRE
NUMBER

--	--	--	--	--

CANDIDATE
NUMBER

--	--	--	--

* 4 8 0 2 7 3 6 7 7 2 *

CO-ORDINATED SCIENCES

0654/33

Paper 3 (Extended)

October/November 2013

2 hours

Candidates answer on the Question Paper.

No Additional Materials are required.

READ THESE INSTRUCTIONS FIRST

Write your Centre number, candidate number and name on all the work you hand in.

Write in dark blue or black pen.

You may use a pencil for any diagrams or graphs.

Do not use staples, paper clips, glue or correction fluid.

DO NOT WRITE IN ANY BARCODES.

Answer **all** questions.

Electronic calculators may be used.

You may lose marks if you do not show your working or if you do not use appropriate units.

A copy of the Periodic Table is printed on page 32.

At the end of the examination, fasten all your work securely together.

The number of marks is given in brackets [] at the end of each question or part question.

This document consists of **30** printed pages and **2** blank pages.



1 Fig. 1.1 shows a root hair cell.

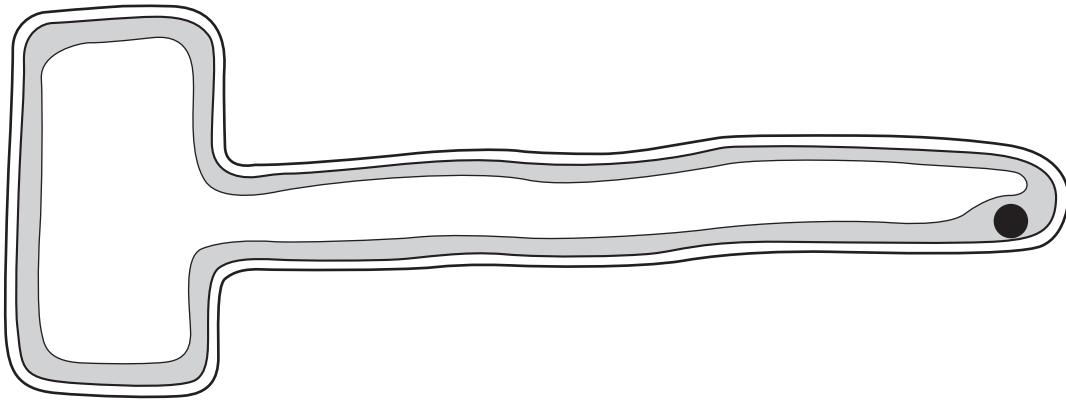


Fig. 1.1

(a) Use the letters **A**, **B** and **C** to label these parts of the root hair cell in Fig. 1.1.

- A** a partially permeable membrane
- B** the part that contains DNA
- C** a structure that is **not** present in animal cells

[3]

(b) Describe how the structure of the root hair cell helps it to carry out its functions.

.....

.....

.....

.....

.....

.....

.....

[3]

(c) Fig. 1.2 shows part of a plant stem from which the outer layer has been removed.

*For
Examiner's
Use*

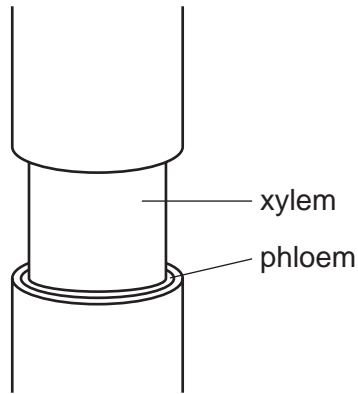


Fig. 1.2

Explain why this treatment would cause the roots of the plant to die.

.....

.....

.....

.....

.....

.....

..... [3]

- 2 (a) Table 2.1 shows information about some chemical elements and their positions in the Periodic Table.

For
Examiner's
Use

Table 2.1

element	group number in the Periodic Table
oxygen	6
calcium	2
lithium	1
sulfur	6
fluorine	7

Select **two** elements from Table 2.1 whose atoms form covalent bonds with each other and explain your answer.

..... and

explanation

.....

..... [2]

(b) Fig. 2.1 shows the electron arrangement in an atom of phosphorus.

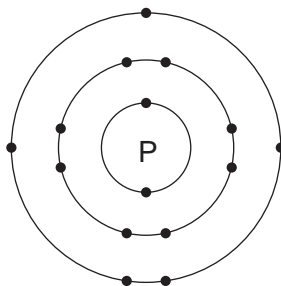


Fig. 2.1

Phosphorus and hydrogen bond together to form the compound phosphine. One molecule of phosphine contains one atom of phosphorus.

Predict and explain the chemical formula of one molecule of phosphine. You may wish to draw a diagram to help you to answer this question.

predicted formula

explanation

.....

..... [3]

For
Examiner's
Use

- (c) A student added **excess** acidified barium chloride solution to a solution of magnesium sulfate.

For
Examiner's
Use

Fig. 2.2 shows the procedure followed.

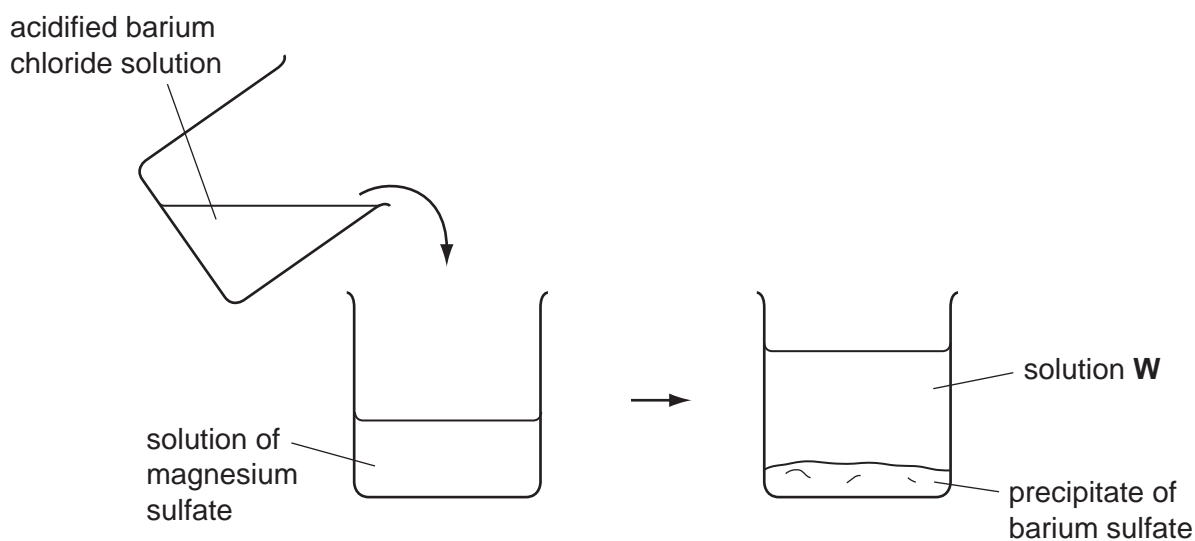


Fig. 2.2

A white precipitate of barium sulfate was produced.

The chemical equation for the reaction is



- (i) State **three** ions that are dissolved in solution **W** in Fig. 2.2.

1

2

3

[1]

- (ii) He used 50.0 cm^3 of magnesium sulfate solution of concentration 0.75 mol/dm^3 .

Calculate the number of moles of magnesium sulfate used by the student.

Show your working.

.....moles [2]

- (iii) State the number of moles of barium sulfate precipitate that were produced by the reaction.

.....moles [1]

- (iv) Use the Periodic Table on page 32 to calculate the mass of barium sulfate that formed in the reaction.

Show your working.

.....g [2]

*For
Examiner's
Use*

- 3 (a) Fig. 3.1 shows a circuit used to measure the current passing through a resistor when the voltage across it is changed.

For
Examiner's
Use

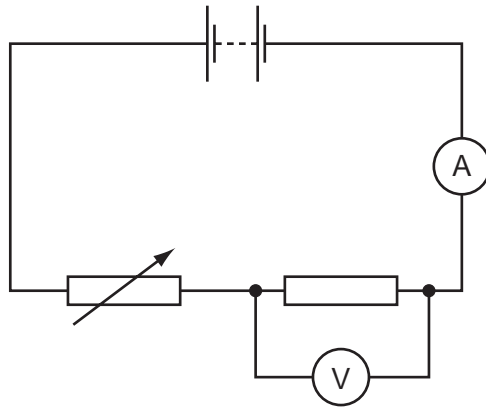


Fig. 3.1

Complete the sentences below using suitable words.

When the voltage across the resistor is reduced, the current through the resistor

.....

When the voltage of the supply is reduced, the voltage across the resistor

.....

[1]

- (b) The resistance of a piece of wire depends on a number of variables such as the temperature of the wire and the material from which it is made.

State **two other** factors which affect the resistance of a piece of wire.

1

2 [2]

(c) Fig. 3.2 shows a circuit used to power a small motor.

For
Examiner's
Use

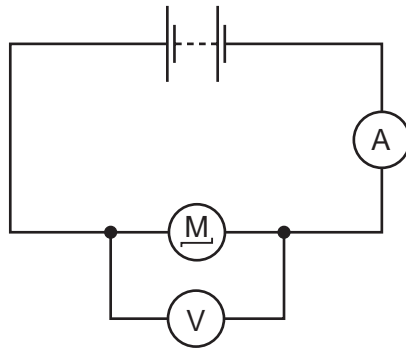


Fig. 3.2

The voltage across the motor is 3 V. The current through the motor is 0.6 A.

(i) Calculate the power input to the motor.

State the formula that you use, show your working and state the unit of your answer.

formula

working

..... unit [2]

(ii) The motor is able to lift a load of 40 N through 1.2 m in 36 seconds.

Calculate the power output of the motor.

State the formula that you use, show your working and state the unit of your answer.

formula

working

..... unit [3]

(iii) Explain why there is a difference between your answers to (i) and (ii).

.....
.....
..... [1]

(iv) Calculate the efficiency of the motor.

Show your working.

..... [2]

(d) An electric current in a wire is a flow of electrons. β (beta)-radiation also consists of electrons.

(i) State the name of the sign of the charge on an electron.

..... [1]

(ii) α (alpha)-radiation moves in the opposite direction to β -radiation in an electrical field.

γ (gamma)-radiation passes through an electrical field without deviation.

Explain these two statements.

.....
.....
.....
..... [2]

4 Soya beans are an important crop in Brazil. Soya beans can be used to make soya 'milk', which can be made into yoghurt.

(a) To make yoghurt, microorganisms are added to soya milk. The milk is then kept warm for several hours.

(i) State the type of microorganism that is added to milk to make yoghurt.

..... [1]

(ii) Explain why the milk is kept warm for several hours.

.....

 [2]

(b) Researchers in Brazil investigated whether adding sugar to the soya milk affected the yoghurt that was produced.

They added sugar to one batch of soya milk, but not to another. They measured the percentage of lactic acid in each batch of yoghurt at the start, and after 4, 5, 6 and 7 hours.

Fig. 4.1 shows their results.

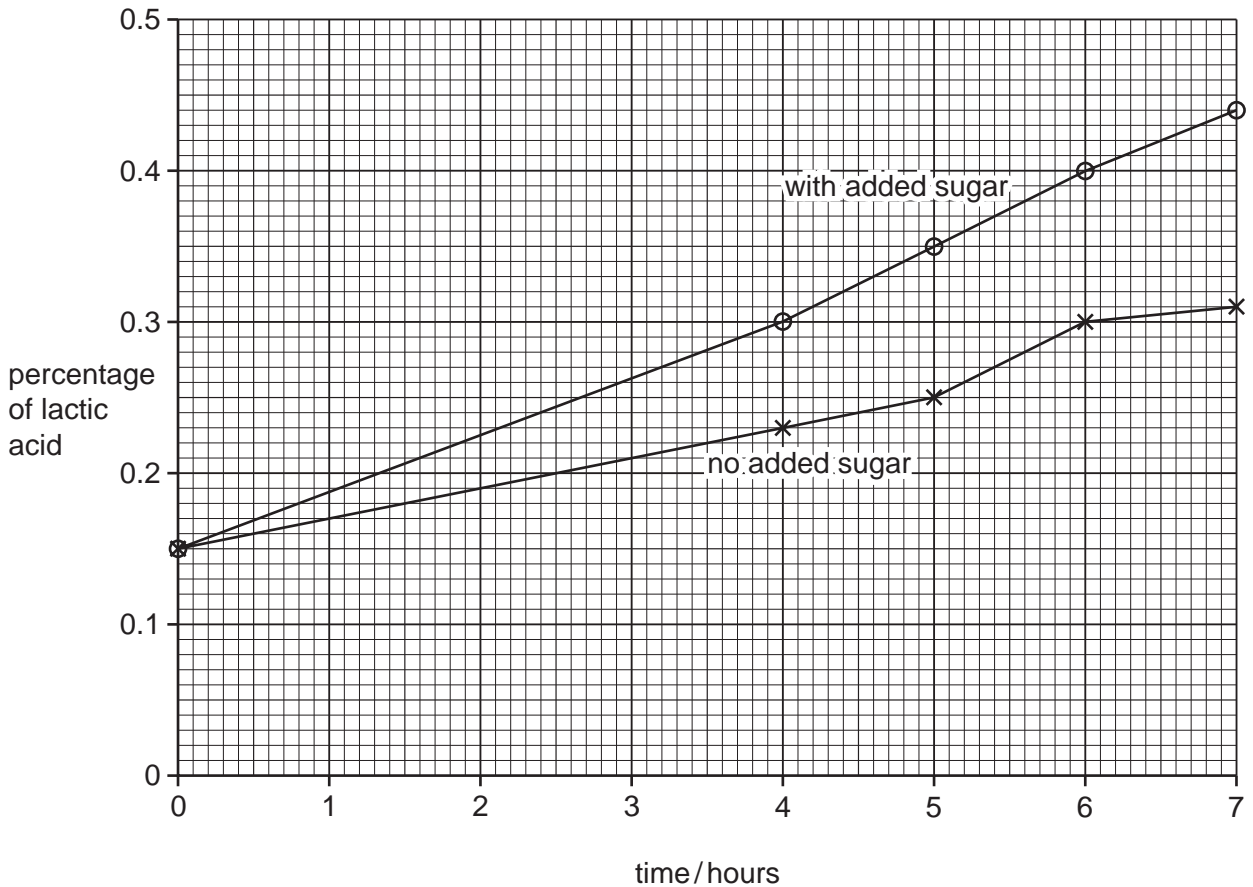


Fig. 4.1

- (i) Describe the change in lactic acid concentration during the fermentation of the yoghurt with no added sugar.

.....
.....
..... [2]

- (ii) Compare the concentration of lactic acid when sugar is added with the concentration of lactic acid when no sugar is added.

State the difference and explain it.

.....
.....
..... [2]

- (c) Large areas of rainforest have been cleared in Brazil, to provide more land for growing soya beans.

Explain how cutting down the rainforest can harm the environment.

.....
.....
.....
.....
.....
.....
..... [4]

- 5 A student carried out experiments to investigate the differences in reactivity of some elements.

For
Examiner's
Use

- (a) Fig. 5.1 shows what the student observed when he removed an iron nail that had been placed into a solution of copper sulfate for a short time.

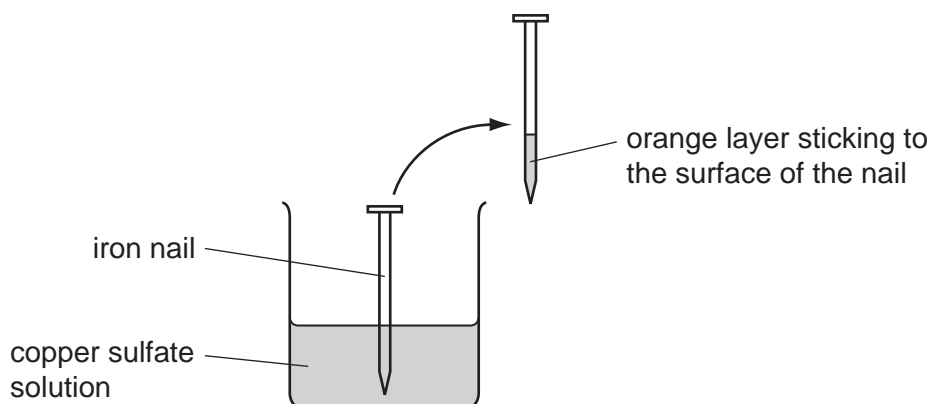


Fig. 5.1

The student correctly concluded that a layer of copper had formed on the surface of the nail.

Explain, in terms of electron transfer, how the reaction is an example of redox (reduction and oxidation).

.....

 [2]

- (b) Fig. 5.2 shows apparatus used by the student to investigate the reaction between different metals and steam, $\text{H}_2\text{O}(\text{g})$.

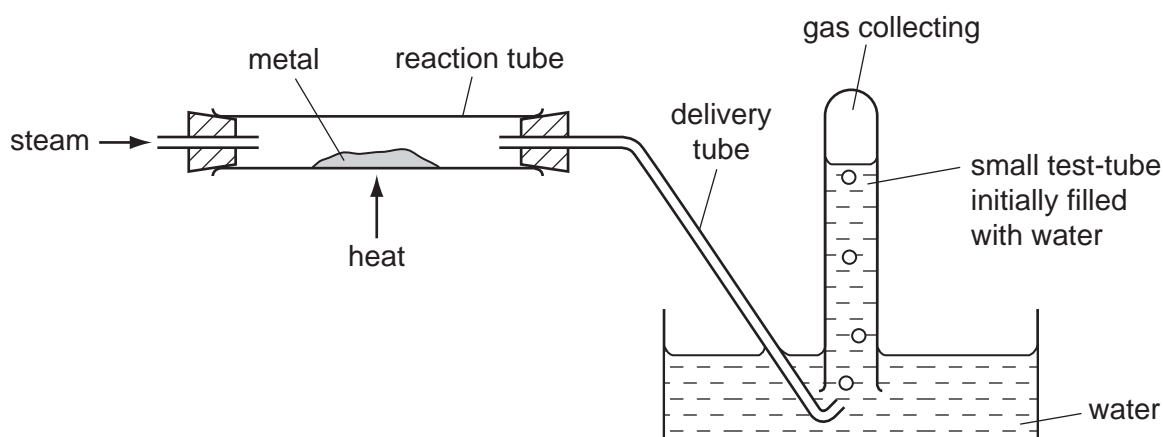


Fig. 5.2

The student carried out experiments using two metals, **P** and **Q**. His observations are shown in Table 5.1.

Table 5.1

metal	observation in reaction tube	observation in small test-tube
P	no reaction	no gas produced
Q	<ul style="list-style-type: none"> • rapid exothermic reaction • white powdery solid produced 	gas G collects

For
Examiner's
Use

(i) State the element which combined with metal **Q** to form the white powdery solid.

..... [1]

(ii) Name the gas **G**.

..... [1]

(iii) Use the observations to compare the reactivities of the three elements, **P**, **Q** and gas **G**.

Explain your answer.

most reactive

.....

least reactive

explanation

.....

.....

..... [3]

(c) Mild steel is an alloy that contains mainly iron. Mild steel will rust unless it is protected.

State and explain how a covering of metallic zinc provides sacrificial protection of steel from rusting.

.....

.....

.....

.....

..... [4]

- 6 (a) (i) Fig. 6.1 gives information about the uses of different types of electromagnetic waves and their effects on living tissue.

Draw lines to link each electromagnetic wave with its effect on living tissue and its use.

One has been completed as an example.

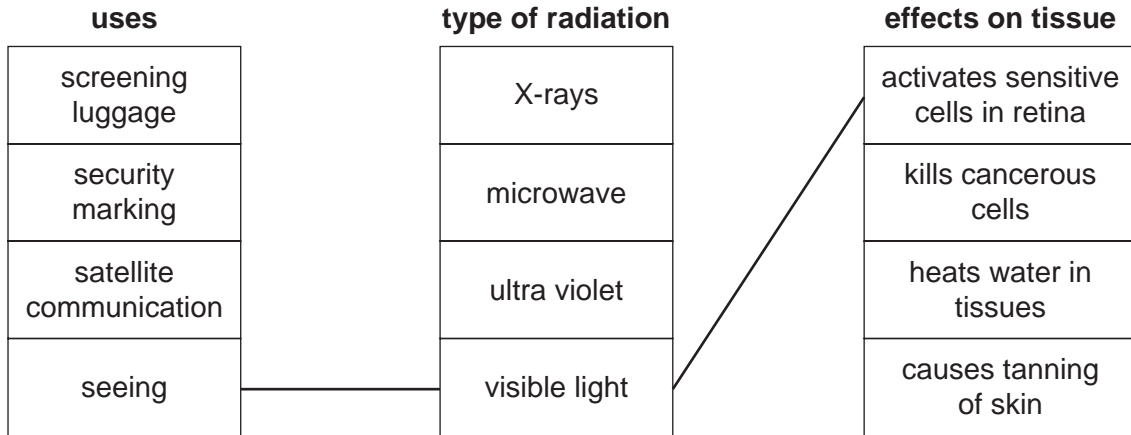


Fig. 6.1

[4]

- (ii) State **one** property that is the same for all electromagnetic waves.

..... [1]

- (b) Infra-red radiation is the part of the electromagnetic spectrum often involved in heat transfer by radiation.

A student carried out an experiment to find out the type of surface that was the best emitter of radiation.

She set up the apparatus shown in Fig. 6.2 and measured the temperature of the water in the flasks every minute for 20 minutes.

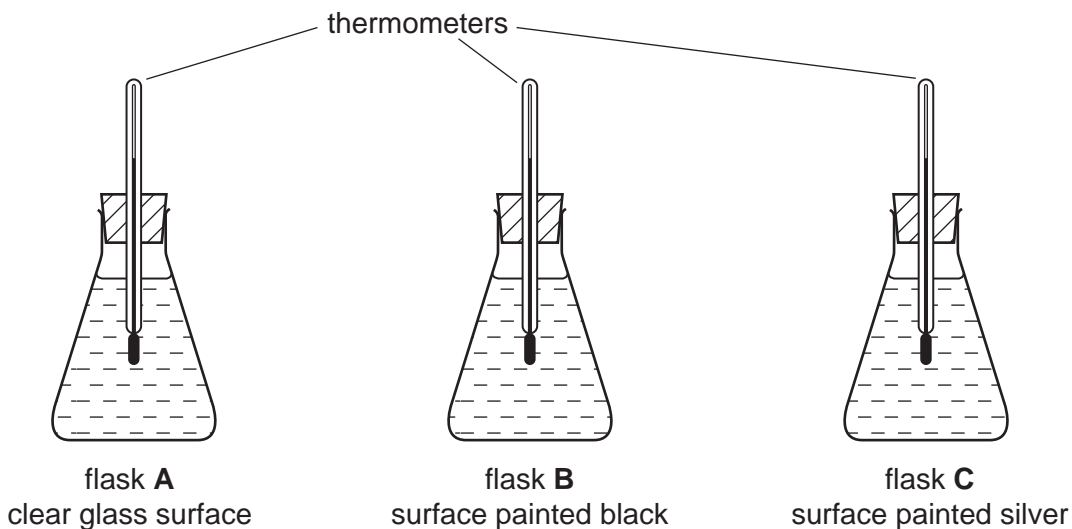


Fig. 6.2

Her results are shown in Fig. 6.3.

For
Examiner's
Use

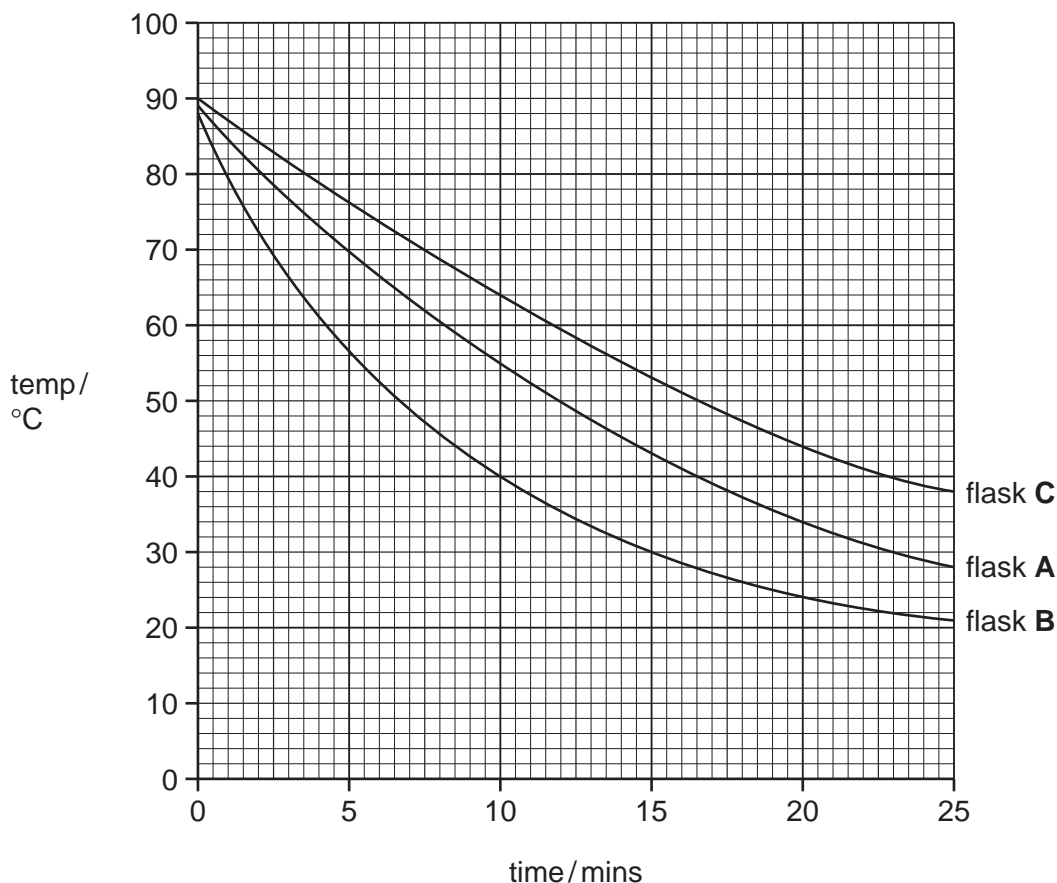


Fig. 6.3

(i) From the graphs identify, with a reason, the flask that cools most rapidly.

.....
 [1]

(ii) Suggest why the flask you identified in (i) cooled more rapidly than the others

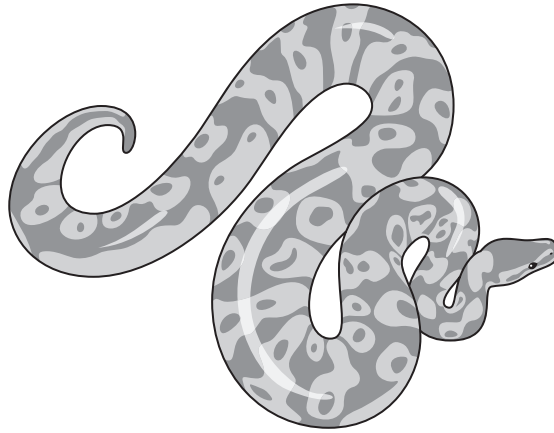
.....
 [1]

(iii) State **two** variables which the student needed to keep constant during her experiment.

1
 2
 [1]

- 7 Ball pythons (royal pythons) are snakes that are kept as pets in many parts of the world.

For
Examiner's
Use



The colour of a ball python is determined by its genes.

Gene **A** has two alleles, **A^N** and **A^B**. Neither allele is dominant or recessive.

Table 7.1 shows the three possible genotypes and colours arising from this gene.

Table 7.1

genotype	colour
A^N A^N	normal
A^N A^B	cinnamon
A^B A^B	black

- (a) Suggest why the alleles of this gene are **not** shown using a single capital letter and its small letter, e.g. **A** and **a**.

.....
..... [1]

- (b) State the correct biological term for the visible appearance produced by the genotype, in this case the colour of the snake.

..... [1]

(c) People try to breed pythons with unusual colours, because they are worth more money.

Use information from Table 7.1 to construct a genetic diagram to explain how a breeder can produce cinnamon offspring from a normal snake and a cinnamon snake.

*For
Examiner's
Use*

[4]

(d) A breeder has several normal snakes, no cinnamon snakes and one black snake.

Suggest how she can breed more black snakes.

.....

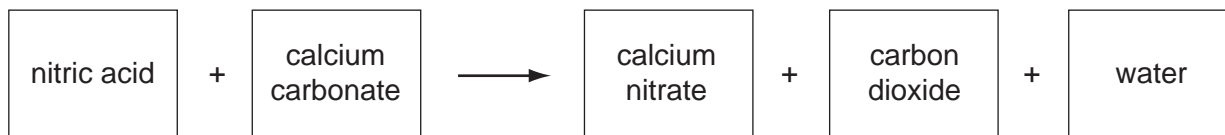
.....

.....

..... [2]

8 Dilute nitric acid reacts with calcium carbonate according to the equation.

For
Examiner's
Use



(a) Calcium nitrate contains calcium ions and nitrate ions.

Calcium is an element in Group 2 of the Periodic Table and nitrate ions have the formula NO_3^- .

Deduce the chemical formula of calcium nitrate.

Show how you obtained your answer.

formula of calcium nitrate [3]

(b) A student carried out an investigation into the way that the rate of the reaction between calcium carbonate and nitric acid changed when he varied the concentration of the nitric acid.

Fig. 8.1 shows the apparatus the student used to measure the rate of reaction.

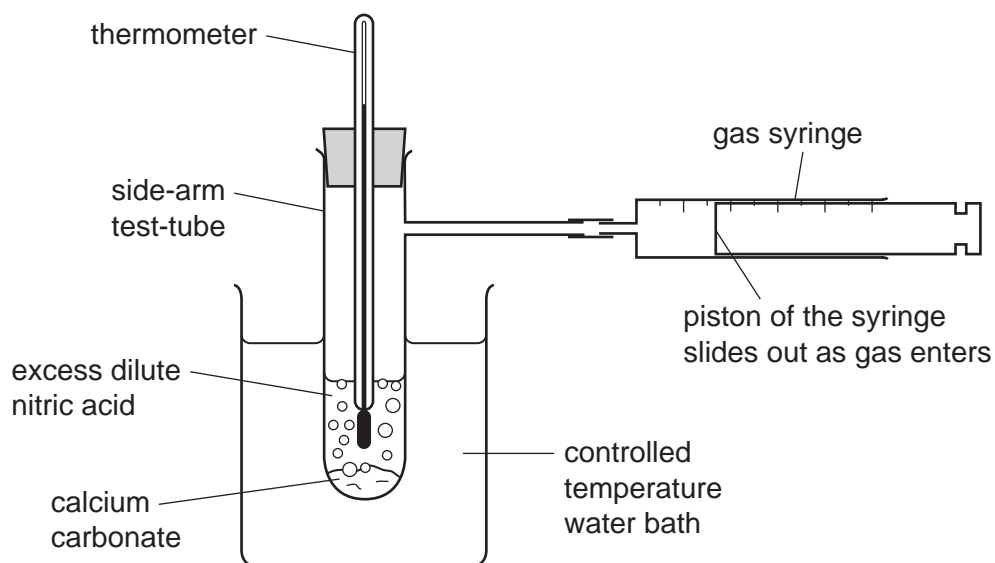


Fig. 8.1

The student measured the rate of reaction by finding the time it took for the gas syringe to fill with gas.

The student measured the rate of reaction using five different concentrations of nitric acid.

Fig. 8.2 shows the student's results as a graph of rate of reaction against acid concentration.

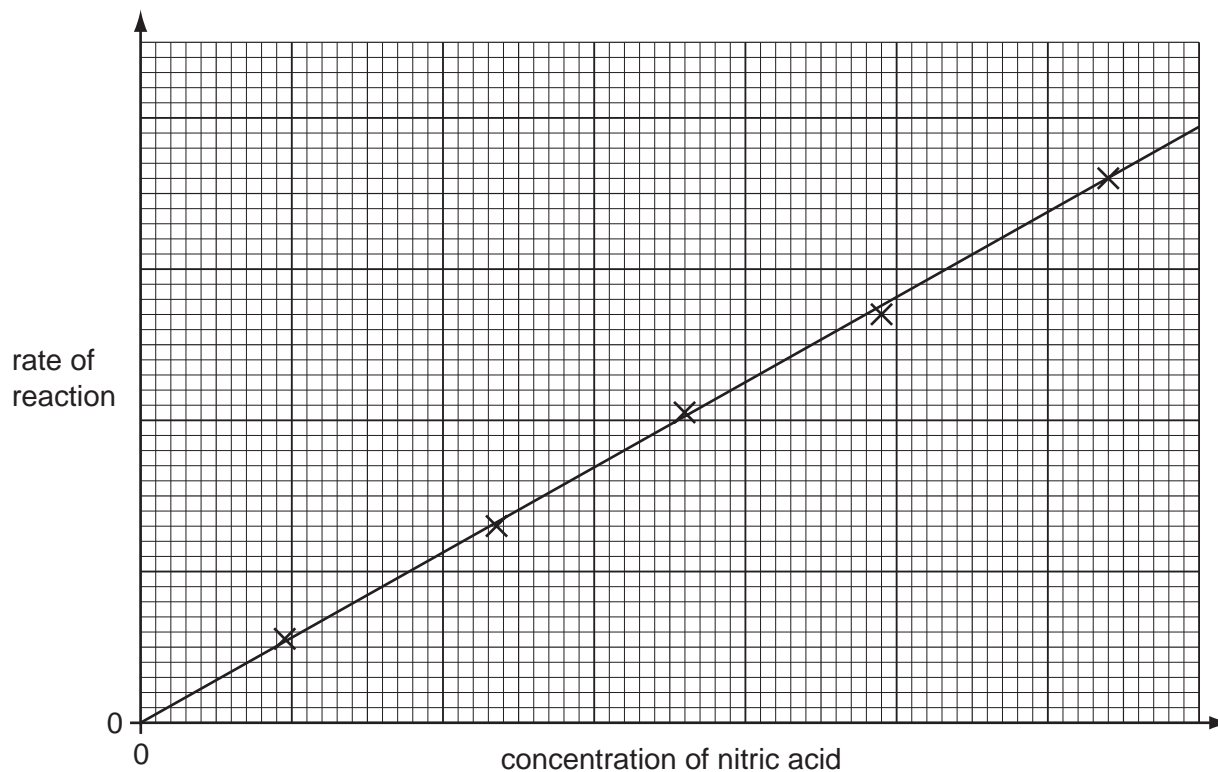


Fig. 8.2

- (i) Describe the relationship shown by the graph.

.....

 [2]

- (ii) Explain these results in terms of particle collisions.

.....

 [2]

- (iii) Explain why the temperature of the reacting mixture needs to be kept constant.

.....

 [2]

For
Examiner's
Use

- 9 Fig. 9.1 shows a solar-powered golf cart used to carry golfers around a golf course.

For
Examiner's
Use

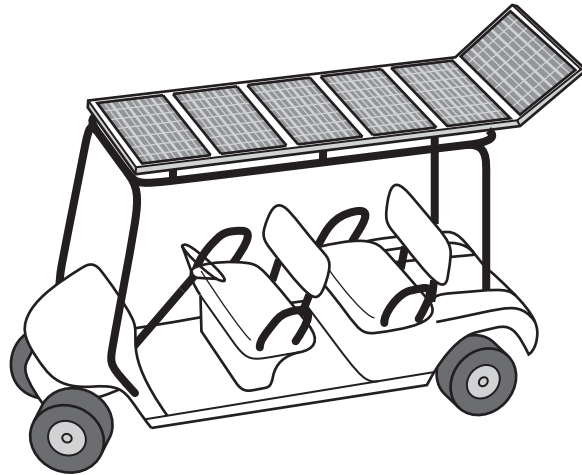


Fig. 9.1

- (a) As the cart moves around the course, the motion of the cart is measured.

Fig. 9.2 shows a distance/time graph for a small part of the journey lasting 60 seconds.

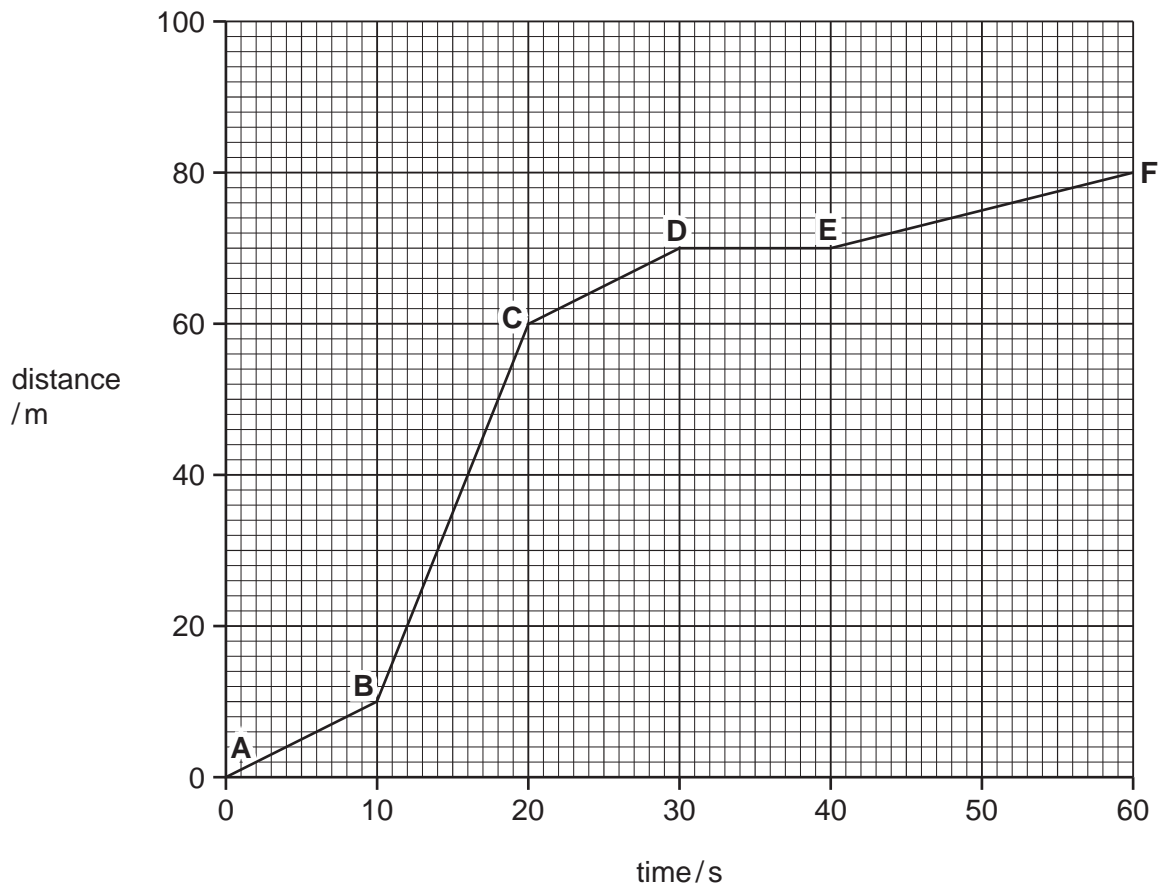


Fig. 9.2

- (i) Show that the speed of the cart between **B** and **C** is 5 m/s.

Show your working in the space.

[1]

- (ii) The mass of the cart is 400 kg.

Calculate the kinetic energy of the cart between **B** and **C**.

State the formula that you use, show your working and state the unit of your answer.

formula

working

..... unit [2]

- (iii) Describe the motion of the cart between **D** and **E**.

..... [1]

- (iv) Later in the journey, the cart accelerates from 1 m/s to 3 m/s in 5 seconds.

Calculate the acceleration of the cart.

State the formula that you use, show your working and state the unit of your answer.

formula

working

..... unit [2]

(b) (i) During the cart's journey, the temperature of the air in the tyres increases by 15 °C.

The volume of the air in the tyre remains the same.

Explain in terms of particles why the **pressure** of the air in the tyre increases when this happens.

.....
.....
..... [1]

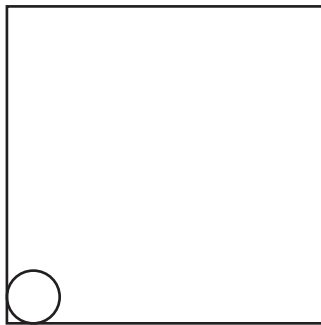
(ii) Sometimes the golfer's hands begin to sweat.

Explain in terms of particles how sweating cools his hands by evaporation.

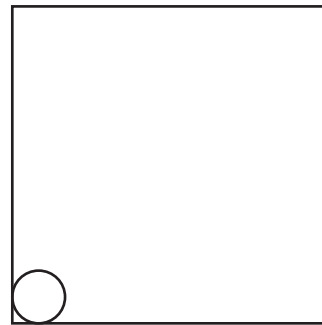
.....
.....
..... [2]

(iii) During evaporation, water changes state from liquid to gas.

Complete the diagrams to show the arrangement of particles in a liquid and in a gas.



liquid



gas

[2]

Please turn over for Question 10.

10 Fig. 10.1 shows a section through an eye.

For
Examiner's
Use

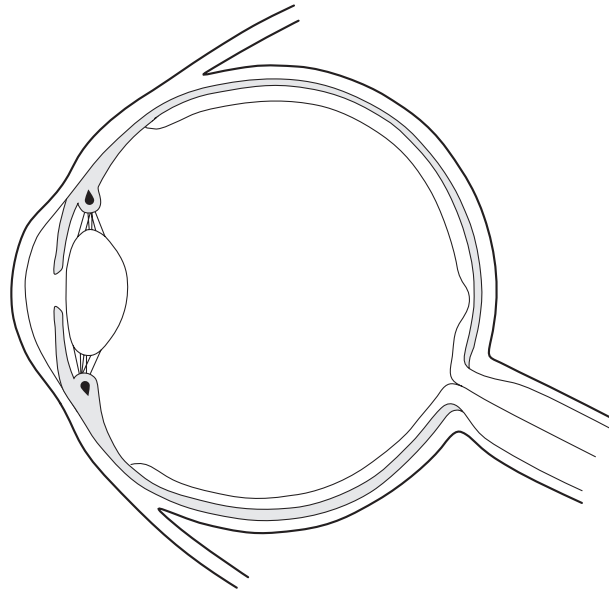


Fig. 10.1

- (a) Complete the sentences to describe how the eye focuses on a nearby object, after it has been looking at a distant object.

Light from a nearby object is diverging than light
from a distant object. To focus on a nearby object, the
muscles This
the tension on the suspensory ligament, which the
focal length of the lens. [5]

- (b) On Fig. 10.1, write the letter **F** to show where the rays of light focused by the lens form an image. [1]

(c) When bright light shines onto the eye, the size of the pupil quickly decreases. This is a reflex action.

(i) Explain what is meant by the term *reflex action*.

.....
..... [1]

(ii) Outline the role of each of the following structures in this reflex action.

sensory neurone

.....

motor neurone

..... [3]

(d) Most parts of the body are supplied with nutrients and oxygen by blood flowing through capillaries. The cornea and lens of the eye do not contain blood capillaries. They obtain nutrients and oxygen from the aqueous humour and vitreous humour.

(i) Suggest why these parts of the eye do not contain blood capillaries.

.....
..... [1]

(ii) Explain why all the living cells in the eye require oxygen.

.....

.....

.....

..... [2]

11 Gasoline and diesel are liquid mixtures of hydrocarbons used as fuels.

Fig. 11.1 shows the structure of a typical molecule in gasoline.

For
Examiner's
Use

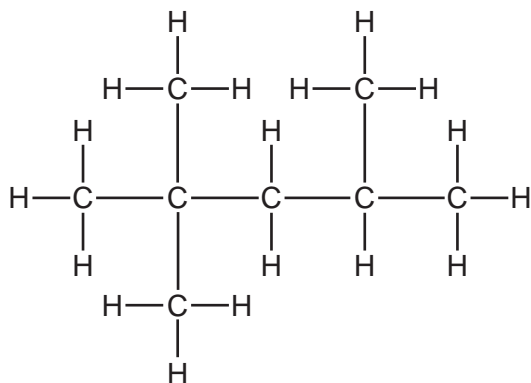


Fig. 11.1

(a) (i) State the chemical formula of the molecule in Fig. 11.1.

..... [1]

(ii) Explain briefly why a molecule like the one in Fig. 11.1 is classified as an *alkane* molecule.

.....
..... [1]

(b) Table 11.1 shows some properties of gasoline and diesel.

Table 11.1

fuel	temperature range over which the fuel boils / °C	viscosity (how easily the liquid flows)
gasoline	40 to 205	runny (flows easily)
diesel	250 to 350	less runny

(i) Explain, in terms of molecules and forces, why the properties of these fuels are different.

.....
.....
.....
..... [2]

- (ii) Decane, $C_{10}H_{22}$, boils at a temperature of $174\text{ }^{\circ}\text{C}$.

Suggest why gasoline boils over a range of temperatures whereas decane boils at a single temperature.

.....
..... [1]

- (c) Ethene, C_2H_4 , is an unsaturated hydrocarbon.

- (i) Describe a chemical test and its result which would show that ethene is unsaturated.

test

.....

result [2]

- (ii) Ethene can be made to undergo **complete** combustion in an exothermic reaction with oxygen, O_2 .

Deduce the balanced symbol equation for this reaction.

..... [2]

- 12 (a) Fig. 12.1 shows a light ray entering an optical fibre.

For
Examiner's
Use

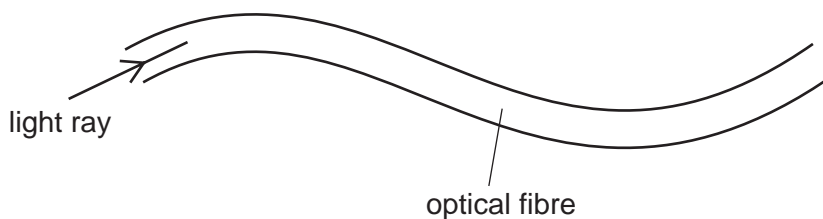


Fig. 12.1

The light ray travels all the way through the optical fibre.

Explain why the light ray is able to stay inside the optical fibre.

You may draw on the diagram if it helps your answer.

.....

.....

.....

..... [3]

- (b) Fig. 12.2 shows an observer's eye looking at an object in a mirror.

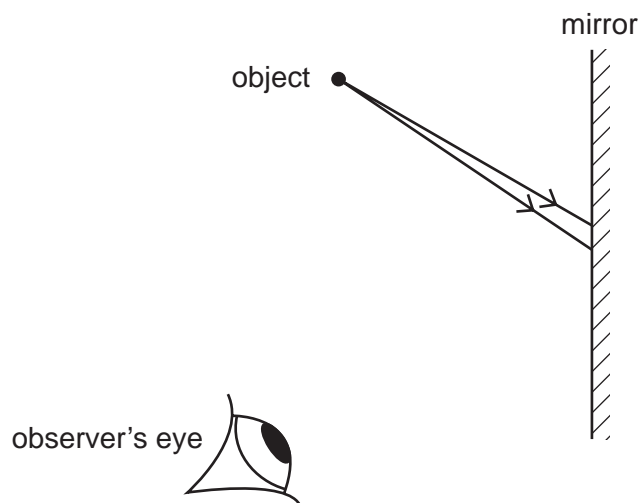


Fig. 12.2

- (i) On Fig. 12.2 complete the ray diagram to show how the two rays of light from the object enter the eye of the observer. [1]
- (ii) On Fig. 12.2 show how the observer sees rays of light which appear to come from the image behind the mirror. [2]

Label the position of the image with an **X**.

DATA SHEET
The Periodic Table of the Elements

		Group																																																																																																																																																																																						
		I	II	III	IV	V	VI	VII	0																																																																																																																																																																															
		<table style="width: 100%; border-collapse: collapse;"> <tr> <td style="width: 10%;"></td> <td style="width: 10%;">1</td> <td colspan="10"></td> </tr> <tr> <td></td> <td>H Hydrogen 1</td> <td colspan="10"></td> </tr> </table>											1												H Hydrogen 1																																																																																																																																																															
	1																																																																																																																																																																																							
	H Hydrogen 1																																																																																																																																																																																							
		<table style="width: 100%; border-collapse: collapse;"> <tr> <td style="width: 10%;"></td> <td style="width: 10%;">9</td> <td colspan="10"></td> </tr> <tr> <td></td> <td>Li Lithium 3</td> <td>Be Beryllium 4</td> <td colspan="10"></td> </tr> <tr> <td></td> <td>23</td> <td>Na Sodium 11</td> <td>24</td> <td colspan="10"></td> </tr> <tr> <td></td> <td></td> <td>Mg Magnesium 12</td> <td></td> <td colspan="10"></td> </tr> <tr> <td></td> <td>39</td> <td>K Potassium 19</td> <td>40</td> <td>Ca Calcium 20</td> <td>45</td> <td>Sc Scandium 21</td> <td>48</td> <td>Ti Titanium 22</td> <td>51</td> <td>V Vanadium 23</td> <td>52</td> <td>Cr Chromium 24</td> <td>55</td> <td>Mn Manganese 25</td> <td>56</td> <td>Fe Iron 26</td> <td>59</td> <td>Co Cobalt 27</td> <td>59</td> <td>Ni Nickel 28</td> <td>64</td> <td>Cu Copper 29</td> <td>65</td> <td>Zn Zinc 30</td> <td>70</td> <td>Ga Gallium 31</td> <td>73</td> <td>Ge Germanium 32</td> <td>75</td> <td>As Arsenic 33</td> <td>79</td> <td>Se Selenium 34</td> <td>80</td> <td>Br Bromine 35</td> <td>84</td> <td>Kr Krypton 36</td> </tr> <tr> <td></td> <td>85</td> <td>Rb Rubidium 37</td> <td>88</td> <td>Sr Strontium 38</td> <td>89</td> <td>Y Yttrium 39</td> <td>91</td> <td>Zr Zirconium 40</td> <td>93</td> <td>Nb Niobium 41</td> <td>96</td> <td>Mo Molybdenum 42</td> <td>101</td> <td>Ru Ruthenium 44</td> <td>103</td> <td>Rh Rhodium 45</td> <td>106</td> <td>Pd Palladium 46</td> <td>108</td> <td>Ag Silver 47</td> <td>112</td> <td>Cd Cadmium 48</td> <td>115</td> <td>In Indium 49</td> <td>122</td> <td>Sb Antimony 51</td> <td>128</td> <td>Te Tellurium 52</td> <td>131</td> <td>Xe Xenon 54</td> </tr> <tr> <td></td> <td>133</td> <td>Cs Caesium 55</td> <td>137</td> <td>Ba Barium 56</td> <td>139</td> <td>La Lanthanum 57</td> <td>178</td> <td>Hf Hafnium 72</td> <td>181</td> <td>Ta Tantalum 73</td> <td>184</td> <td>W Tungsten 74</td> <td>190</td> <td>Os Osmium 76</td> <td>192</td> <td>Ir Iridium 77</td> <td>195</td> <td>Pt Platinum 78</td> <td>197</td> <td>Au Gold 79</td> <td>201</td> <td>Hg Mercury 80</td> <td>204</td> <td>Tl Thallium 81</td> <td>207</td> <td>Pb Lead 82</td> <td>209</td> <td>Bi Bismuth 83</td> <td>210</td> <td>Po Polonium 84</td> <td>210</td> <td>At Astatine 85</td> <td>210</td> <td>Rn Radon 86</td> </tr> <tr> <td></td> <td></td> <td>Fr Francium 87</td> <td>226</td> <td>Ra Radium 88</td> <td>227</td> <td>Ac Actinium 89</td> <td colspan="10"></td> </tr> </table>											9												Li Lithium 3	Be Beryllium 4												23	Na Sodium 11	24													Mg Magnesium 12													39	K Potassium 19	40	Ca Calcium 20	45	Sc Scandium 21	48	Ti Titanium 22	51	V Vanadium 23	52	Cr Chromium 24	55	Mn Manganese 25	56	Fe Iron 26	59	Co Cobalt 27	59	Ni Nickel 28	64	Cu Copper 29	65	Zn Zinc 30	70	Ga Gallium 31	73	Ge Germanium 32	75	As Arsenic 33	79	Se Selenium 34	80	Br Bromine 35	84	Kr Krypton 36		85	Rb Rubidium 37	88	Sr Strontium 38	89	Y Yttrium 39	91	Zr Zirconium 40	93	Nb Niobium 41	96	Mo Molybdenum 42	101	Ru Ruthenium 44	103	Rh Rhodium 45	106	Pd Palladium 46	108	Ag Silver 47	112	Cd Cadmium 48	115	In Indium 49	122	Sb Antimony 51	128	Te Tellurium 52	131	Xe Xenon 54		133	Cs Caesium 55	137	Ba Barium 56	139	La Lanthanum 57	178	Hf Hafnium 72	181	Ta Tantalum 73	184	W Tungsten 74	190	Os Osmium 76	192	Ir Iridium 77	195	Pt Platinum 78	197	Au Gold 79	201	Hg Mercury 80	204	Tl Thallium 81	207	Pb Lead 82	209	Bi Bismuth 83	210	Po Polonium 84	210	At Astatine 85	210	Rn Radon 86			Fr Francium 87	226	Ra Radium 88	227	Ac Actinium 89										
	9																																																																																																																																																																																							
	Li Lithium 3	Be Beryllium 4																																																																																																																																																																																						
	23	Na Sodium 11	24																																																																																																																																																																																					
		Mg Magnesium 12																																																																																																																																																																																						
	39	K Potassium 19	40	Ca Calcium 20	45	Sc Scandium 21	48	Ti Titanium 22	51	V Vanadium 23	52	Cr Chromium 24	55	Mn Manganese 25	56	Fe Iron 26	59	Co Cobalt 27	59	Ni Nickel 28	64	Cu Copper 29	65	Zn Zinc 30	70	Ga Gallium 31	73	Ge Germanium 32	75	As Arsenic 33	79	Se Selenium 34	80	Br Bromine 35	84	Kr Krypton 36																																																																																																																																																				
	85	Rb Rubidium 37	88	Sr Strontium 38	89	Y Yttrium 39	91	Zr Zirconium 40	93	Nb Niobium 41	96	Mo Molybdenum 42	101	Ru Ruthenium 44	103	Rh Rhodium 45	106	Pd Palladium 46	108	Ag Silver 47	112	Cd Cadmium 48	115	In Indium 49	122	Sb Antimony 51	128	Te Tellurium 52	131	Xe Xenon 54																																																																																																																																																										
	133	Cs Caesium 55	137	Ba Barium 56	139	La Lanthanum 57	178	Hf Hafnium 72	181	Ta Tantalum 73	184	W Tungsten 74	190	Os Osmium 76	192	Ir Iridium 77	195	Pt Platinum 78	197	Au Gold 79	201	Hg Mercury 80	204	Tl Thallium 81	207	Pb Lead 82	209	Bi Bismuth 83	210	Po Polonium 84	210	At Astatine 85	210	Rn Radon 86																																																																																																																																																						
		Fr Francium 87	226	Ra Radium 88	227	Ac Actinium 89																																																																																																																																																																																		

| | | | | | | | | | | | | | | | | | |--|----------------------------|---------------------------------|-----------------------------|--|--|--|--|--|--|--|--|--|--| | | 169 | | | | | | | | | | | | | | | Tm
Thulium
69 | 173 | | | | | | | | | | | | | | Er
Erbium
68 | 175 | Lu
Lutetium
71 | | | | | | | | | | | | | 167 | Yb
Ytterbium
70 | 171 | | | | | | | | | | | | | | No
Nobelium
102 | | | | | | | | | | | | | | 166 | Md
Mendelevium
101 | 170 | | | | | | | | | | | | | | Fm
Fermium
100 | 174 | | | | | | | | | | | | | 165 | Es
Einsteinium
99 | 178 | | | | | | | | | | | | | | Cf
Californium
98 | 182 | | | | | | | | | | | | | 162 | Dy
Dysprosium
66 | 186 | | | | | | | | | | | | | | Bk
Berkelium
97 | 190 | | | | | | | | | | | | | 159 | Tb
Terbium
65 | 194 | | | | | | | | | | | | | | Cm
Curium
96 | 198 | | | | | | | | | | | | | 157 | Gd
Gadolinium
64 | 202 | | | | | | | | | | | | | | Am
Americium
95 | 206 | | | | | | | | | | | | | 152 | Eu
Europium
63 | 210 | | | | | | | | | | | | | | Sm
Samarium
62 | 214 | | | | | | | | | | | | | 150 | Pm
Promethium
61 | 218 | | | | | | | | | | | | | | Np
Neptunium
93 | 222 | | | | | | | | | | | | | 144 | Nd
Neodymium
60 | 226 | | | | | | | | | | | | | | U
Uranium
92 | 230 | | | | | | | | | | | | | 141 | Pr
Praseodymium
59 | 234 | | | | | | | | | | | | | | Pa
Protactinium
91 | 238 | | | | | | | | | | | | | 140 | Ce
Cerium
58 | 242 | | | | | | | | | | | | | | Th
Thorium
90 | 246 | | | | | | | | | | | | | | | | | | | | |

The volume of one mole of any gas is 24 dm³ at room temperature and pressure (r.t.p.).

	a	X	b
Key	a = relative atomic mass	X = atomic symbol	b = proton (atomic) number

* 58-71 Lanthanoid series
† 90-103 Actinoid series

Permission to reproduce items where third-party owned material protected by copyright is included has been sought and cleared where possible. Every reasonable effort has been made by the publisher (UCLES) to trace copyright holders, but if any items requiring clearance have unwittingly been included, the publisher will be pleased to make amends at the earliest possible opportunity.

University of Cambridge International Examinations is part of the Cambridge Assessment Group. Cambridge Assessment is the brand name of University of Cambridge Local Examinations Syndicate (UCLES), which is itself a department of the University of Cambridge.