



UNIVERSITY OF CAMBRIDGE INTERNATIONAL EXAMINATIONS
International General Certificate of Secondary Education

CANDIDATE
NAME

CENTRE
NUMBER

--	--	--	--	--

CANDIDATE
NUMBER

--	--	--	--



COMBINED SCIENCE

0653/31

Paper 3 (Extended)

May/June 2012

1 hour 15 minutes

Candidates answer on the Question Paper.

No Additional Materials are required.

READ THESE INSTRUCTIONS FIRST

Write your Centre number, candidate number and name on all the work you hand in.

Write in dark blue or black pen.

You may use a soft pencil for any diagrams, graphs, tables or rough working.

Do not use staples, paper clips, highlighters, glue or correction fluid.

DO NOT WRITE IN ANY BARCODES.

Answer **all** questions.

A copy of the Periodic Table is printed on page 24.

At the end of the examination, fasten all your work securely together.

The number of marks is given in brackets [] at the end of each question or part question.

For Examiner's Use	
1	
2	
3	
4	
5	
6	
7	
8	
9	
Total	

This document consists of **23** printed pages and **1** blank page.



- 1 Sugar cane is a food crop grown in Australia. It is harvested and then transported on small trains to the processing plant.

For
Examiner's
Use

Fig. 1.1 shows one of the trains carrying sugar cane.

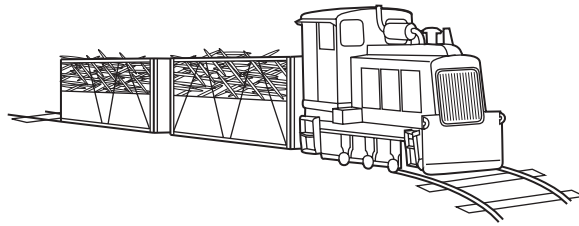


Fig. 1.1

- (a) The mass of the engine and empty trucks is 20 000 kg and the mass of the sugar cane transported is 10 000 kg.

The train travels at a speed of 0.5 m/s.

- (i) Calculate the kinetic energy of the loaded train.

State the formula that you use and show your working.

formula used

working

..... [2]

- (ii) To travel at this speed, a driving force of 1 000 000 N is needed.

Calculate the work done by the engine of the train when it travels 1 km.

State the formula that you use and show your working.

formula used

working

..... [2]

(iii) It takes the train 5 minutes to travel 1 km. Calculate the power output of the engine.

State the formula that you use and show your working.

formula used

working

..... [2]

(b) The track for the train is composed of short lengths of steel rail with small gaps left between them as shown in Fig. 1.2.

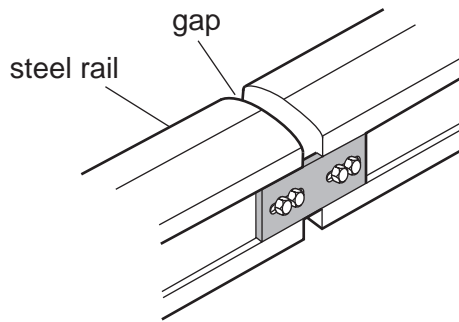


Fig. 1.2

Suggest a reason for leaving these small gaps.

.....
.....
..... [2]

For
Examiner's
Use

2 An element is a substance that is made of atoms which have the same proton number. Most atoms contain protons, neutrons and electrons.

(a) Name the element whose atoms do **not** usually contain any neutrons.

..... [1]

(b) The electronic structures (configurations) of atoms of three elements, **P**, **Q** and **R** are shown below.

P 2,8,1

Q 2,8

R 2,7

(i) Use the electronic structures to state and explain the group numbers in the Periodic Table that contain elements **P**, **Q** and **R**.

P Group

Q Group

R Group

explanation

..... [2]

(ii) State and explain which of the elements, **P**, **Q** or **R**, is the least reactive.

element

explanation

..... [1]

(iii) State and explain which **one** of the elements, **P**, **Q** or **R**, is a good conductor of electricity.

element

explanation

..... [1]

- (c) Most metallic elements occur combined with non-metals in the Earth's crust. For thousands of years, humans have carried out chemical reactions to extract metals from their ores.

For
Examiner's
Use

Fig. 2.1 shows a cross-section through a shaft furnace which was a simple reaction vessel used by ancient civilisations to extract iron.

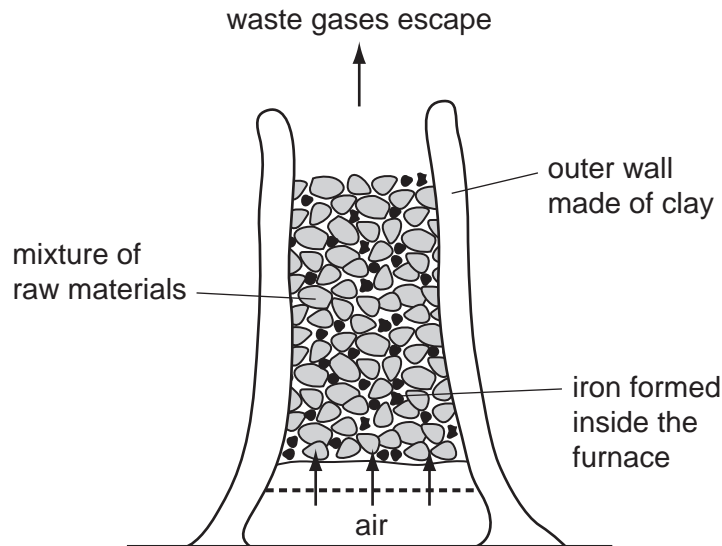


Fig. 2.1

In this shaft furnace the mixture of raw materials consisted of charcoal and iron ore. Charcoal contains mainly carbon, and iron ore contains iron oxide.

Nowadays iron is extracted from iron ore in a blast furnace.

- (i) Name another raw material, which is added to a modern blast furnace but which is **not** present in the shaft furnace in Fig. 2.1.

Explain briefly why this material is used.

name of material

reason this material is used

..... [2]

- (ii) Iron is extracted from iron ore when a gaseous oxide of carbon reacts with iron oxide.

Write a **word** chemical equation for this reaction.

..... [2]

(d) (i) Suggest, in terms of relative reactivity, why a mixture of aluminium oxide and carbon does **not** produce any metallic aluminium in a blast furnace.

.....
.....
..... [2]

(ii) Name the process that is used to extract aluminium from aluminium oxide.

..... [1]

*For
Examiner's
Use*

3 Marmots are herbivorous mammals. Fig. 3.1 shows a marmot.

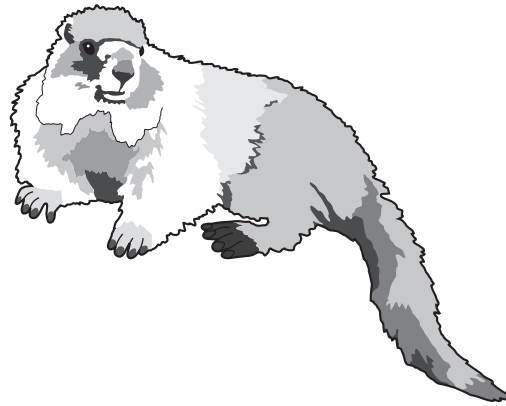


Fig. 3.1

A study has been carried out into the marmots living in Colorado, USA.

The winters in this part of Colorado are so cold that the marmots would not be able to find enough food to eat. Instead, they allow their body temperature to drop much lower than normal and stay inactive for many months. This is called hibernation. They do not eat while they are hibernating. They emerge from hibernation in spring.

(a) Before they hibernate, marmots build up large fat stores beneath their skin.

Suggest and explain what marmots must do in order to build up large fat stores in their bodies.

.....

.....

..... [2]

(b) Fig. 3.2 shows the percentage of marmots with different body masses that survive through the winter.

For
Examiner's
Use

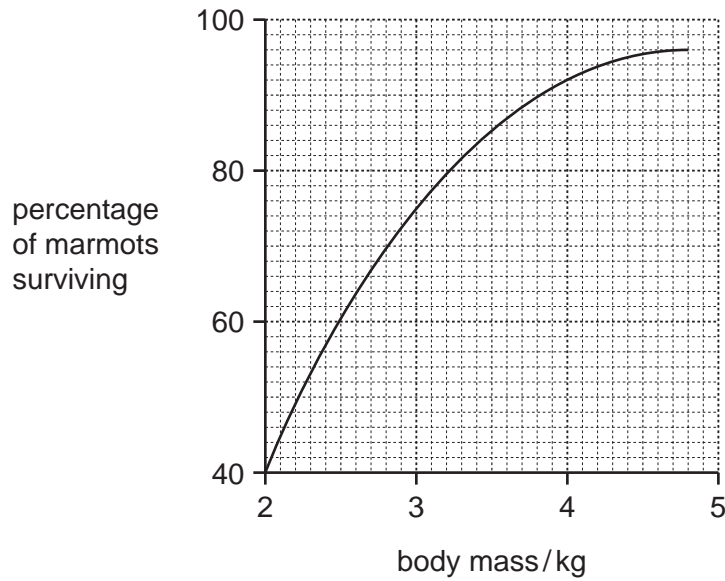


Fig. 3.2

(i) Describe the relationship between a marmot's body mass and its chance of surviving the winter.

.....

.....

..... [2]

(ii) Suggest how a layer of fat beneath the skin can reduce heat transfer from a hibernating marmot's body to its surroundings.

.....

..... [1]

(c) In the last twenty years, spring has been arriving earlier in the year in Colorado. This is a result of global warming.

Explain how human activities, other than the combustion of fossil fuels, are thought to contribute to global warming.

.....

.....

.....

.....

..... [3]

(d) Fig. 3.3 shows the mean body mass of the marmots on the first day of August (during summer) between 1976 and 2006.

For
Examiner's
Use

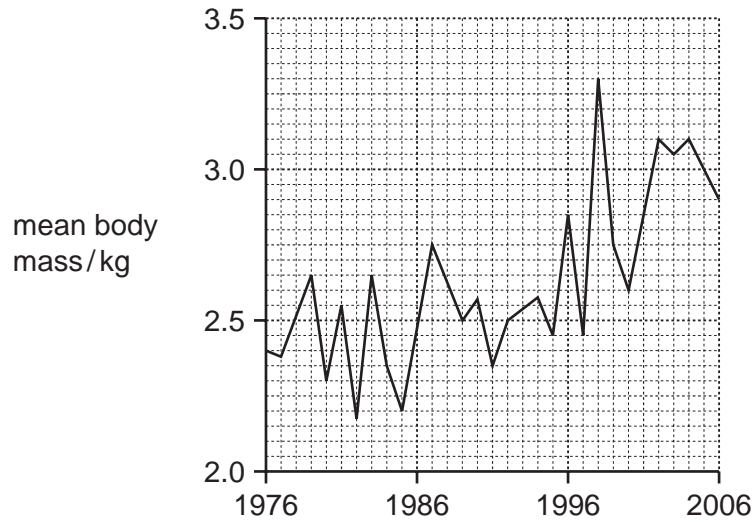


Fig. 3.3

(i) Describe the general trend shown in Fig. 3.3.

.....
 [1]

(ii) Suggest how the earlier arrival of spring could be responsible for this trend.

.....
 [1]

- 4 Fig. 4.1 shows the apparatus a student used to investigate the effect of changing the acid concentration on the rate of reaction between excess dilute hydrochloric acid and magnesium. At the start of the experiment the measuring cylinder contained no gas and was full of water.

For
Examiner's
Use

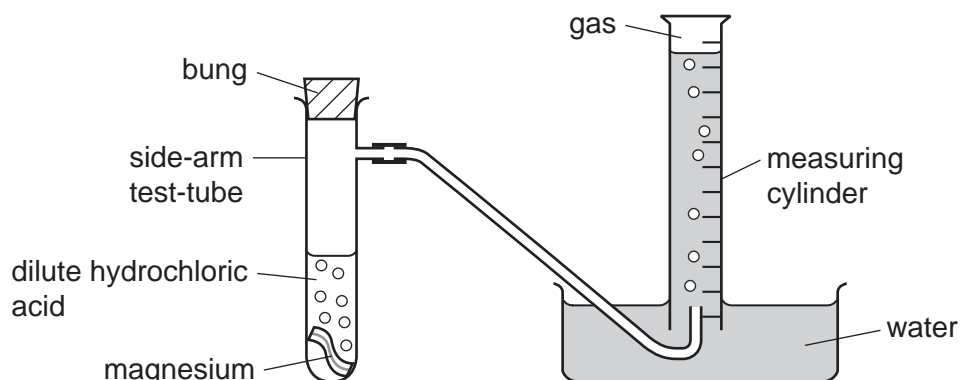


Fig. 4.1

To carry out his investigation the student used the following method.

- He dropped the magnesium into the dilute acid.
- He immediately placed the bung into the side-arm test-tube and started a stopclock.
- He measured the volume of gas in the measuring cylinder every half minute, for eight minutes.

He carried out two experiments, **A** and **B**, in which the only variable that he changed was the concentration of the hydrochloric acid.

- (a) State **two** other variables that the student needed to keep the same in experiments **A** and **B**.

1

2 [1]

(b) Fig. 4.2 shows the results the student obtained for experiments **A** and **B**.

For
Examiner's
Use

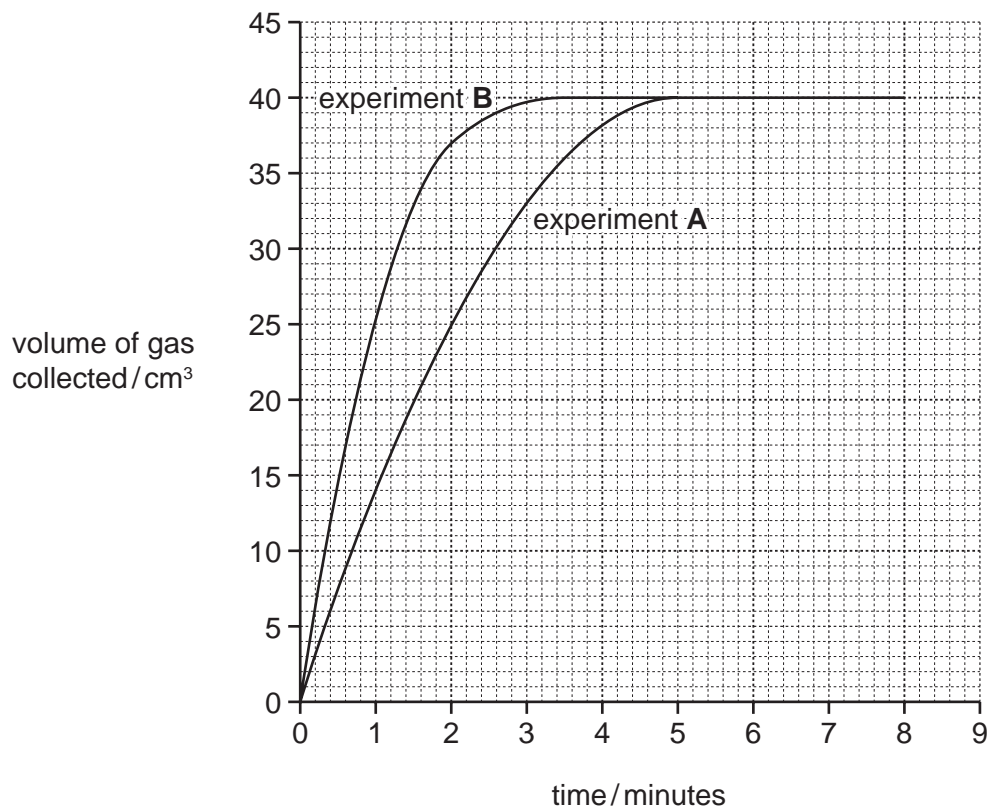


Fig. 4.2

- (i) In which experiment, **A** or **B**, did the student use hydrochloric acid which had the higher concentration?

Explain your answer.

experiment

explanation

.....

..... [1]

- (ii) The student was told that he could calculate the average rate of reaction using:

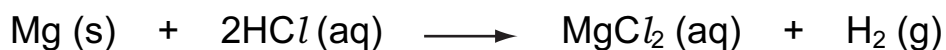
$$\text{average rate of reaction} = \frac{\text{maximum volume of gas collected}}{\text{minimum time taken to collect maximum volume}}$$

Use the information in Fig. 4.2 to calculate the average rate of reaction for experiment **A**.

Show your working and state the units.

..... [3]

- (c) The balanced symbolic equation for the reaction between hydrochloric acid and magnesium is shown below.



- (i) What is meant by the state symbol (aq) in this equation?

..... [1]

- (ii) Suggest why the reaction in both experiments **A** and **B** above produced the same volume of gas.

.....

 [2]

BLANK PAGE

Please turn over for Question 5.

5 (a) A bat produces a sound wave with a frequency of 212 kHz and a wavelength of 0.0016 m.

(i) This sound is outside the audible frequency range for humans.

State the approximate audible frequency range for humans.

..... [1]

(ii) State the meaning of the terms *frequency* and *wavelength*, when describing a wave. You may use a diagram if it helps your explanation.

frequency

.....
.....
.....

wavelength

.....
.....
.....

[2]

(iii) Calculate the speed of the sound wave produced by the bat.

State the formula that you use and show your working.

formula used

working

..... [2]

(iv) Sound travels through the air by a series of compressions and rarefactions.

Describe what this means in terms of air particles.

.....
.....
..... [2]

(b) A girl shouts and waves to another girl in the school playground as shown in Fig. 5.1.



Fig. 5.1

The sound energy and the light energy both travel from one girl to the other by wave motion.

(i) State whether sound waves and light waves are transverse or longitudinal.

Sound waves are

Light waves are [2]

(ii) The girls could have communicated with each other using their mobile phones (cell phones).

Name the type of electromagnetic wave used to communicate between mobile phones.

..... [1]

- 6 Fig. 6.1 shows part of a section across a root from a radish plant, photographed through a microscope.

For
Examiner's
Use

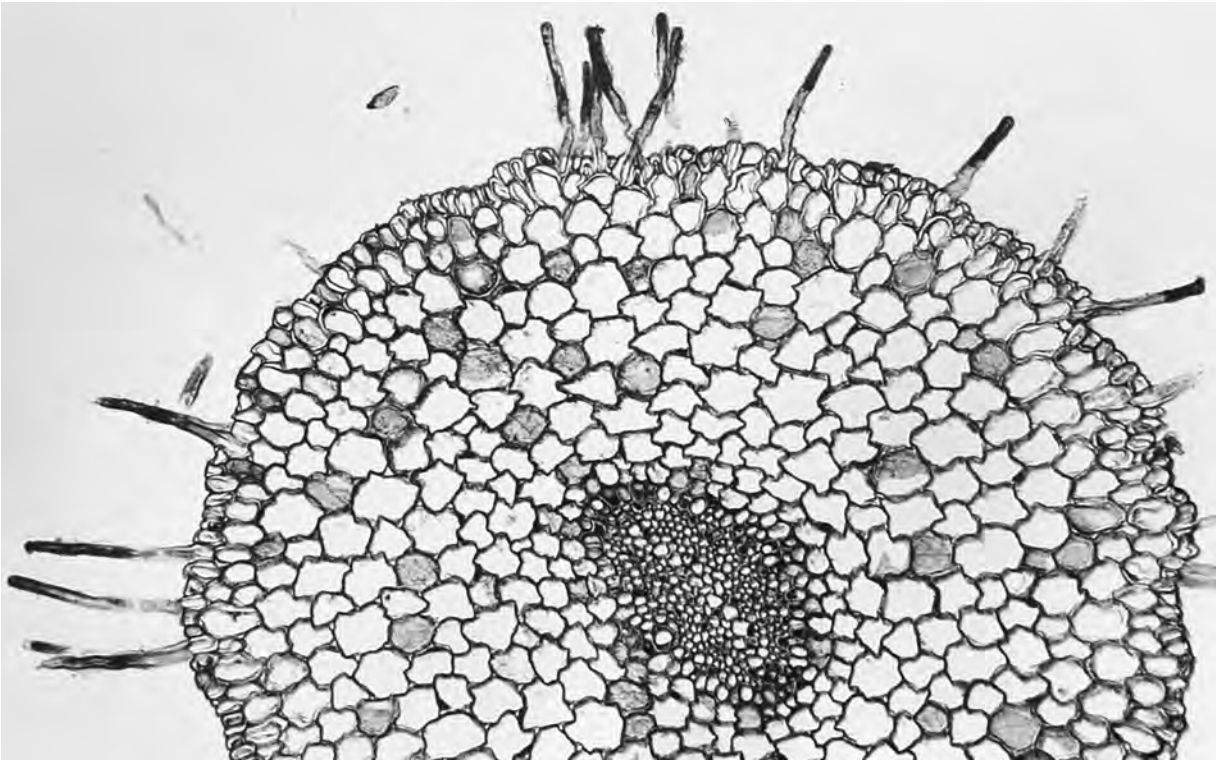


Fig. 6.1

(a) On Fig. 6.1, use a label line to label a root hair cell. [1]

(b) Root hair cells absorb water from the soil.

(i) State **one** other function of root hair cells.

..... [1]

(ii) Explain how root hair cells are adapted for their functions.

.....
.....
..... [2]

(c) A complete radish plant was placed with the lower part of the root standing in water. A soluble red dye was added to the water. After a while, the veins in the leaves of the radish plant became red.

(i) Name the tissue in the radish plant through which the coloured water was transported from the roots to the leaves.

..... [1]

(ii) On Fig. 6.1, write the letter **A** to show the position of this tissue in the root. [1]

(iii) Water was drawn up through the radish plant because water vapour was constantly escaping from its leaves. A plastic bag was placed over the leaves of the radish plant, and the water vapour formed colourless droplets of liquid water on the bag as it condensed.

Explain why these water droplets were not red.

.....
.....
..... [2]

7 (a) (i) Draw a circuit diagram that a student could use to investigate how the change in potential difference across a lamp affects the current flowing through it.

[3]

(ii) During his investigations, the student measured the voltage across the lamp as 3.0 V and the current passing through the lamp as 0.3 A.

Calculate the resistance of the lamp.

State the formula that you use and show your working.

formula used

working

..... [2]

(b) Table 7.1 shows some information about six pieces of wire, all at room temperature (20°C).

For
Examiner's
Use

Table 7.1

wire	metal composition	length/cm	cross-sectional area/mm ²
A	copper	10	0.5
B	nichrome	10	0.5
C	copper	20	0.5
D	nichrome	20	0.5
E	copper	10	1.0
F	copper	20	1.0

(i) Which wire, **B** or **D**, will have the greater resistance?

Explain your answer.

wire

..... [1]

(ii) Which wire, **A** or **E**, will have the greater resistance?

Explain your answer.

wire

..... [1]

(c) A plastic rod is rubbed with a cloth.

The rod becomes charged.

There are two types of electric charge.

(i) State the names of these charges.

1

2 [1]

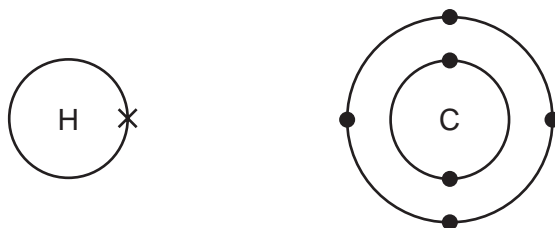
(ii) Charged particles are transferred between the rod and cloth.

Name the charged particles transferred. [1]

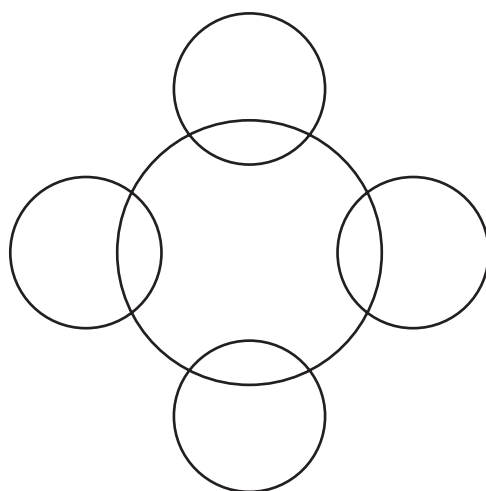
8 Hydrocarbons are compounds that contain carbon and hydrogen only.

The hydrocarbon that contains the simplest molecules is methane.

(a) (i) The diagrams below show an atom of carbon and an atom of hydrogen.



Complete the covalent bonding diagram of a molecule of methane to show how the bonding electrons are arranged.



[2]

(ii) Complete the molecular structure diagrams below to show molecules of the hydrocarbons ethane and ethene.

ethane	H—C
ethene	$\begin{array}{c} \text{C} \\ \\ \text{H} \end{array}$

[2]

(b) In many countries, ethanol, C_2H_6O , is added to hydrocarbon fuels such as gasoline.

The products of complete combustion of ethanol are the same as those of hydrocarbons such as methane.

Suggest the **word** chemical equation for the complete combustion of ethanol.

..... [2]

*For
Examiner's
Use*

9 (a) Define the term *hormone*.

.....
.....
.....
.....
..... [3]

(b) Adrenaline is sometimes called the 'fright, flight or fight' hormone. It is produced when a person is frightened.

One effect of adrenaline is to increase a person's pulse rate.

Explain how this could help a person to run away from the thing that has frightened them.

.....
.....
.....
..... [2]

(c) Plants also produce hormones. One plant hormone is auxin. Auxin helps plant shoots to respond to light coming from only one direction.

(i) State the correct term for the growth response of a plant to light coming from only one direction.

..... [1]

- (ii) Explain how auxin helps a plant shoot respond to light coming from only one direction. You may use a diagram as part of your explanation.

For
Examiner's
Use

.....

.....

.....

.....

..... [3]

Copyright Acknowledgements:

Question 6 Photograph © B23WP8 cross section of a radish root; Biodisc/Visuals Unlimited/Alamy.

Permission to reproduce items where third-party owned material protected by copyright is included has been sought and cleared where possible. Every reasonable effort has been made by the publisher (UCLES) to trace copyright holders, but if any items requiring clearance have unwittingly been included, the publisher will be pleased to make amends at the earliest possible opportunity.

University of Cambridge International Examinations is part of the Cambridge Assessment Group. Cambridge Assessment is the brand name of University of Cambridge Local Examinations Syndicate (UCLES), which is itself a department of the University of Cambridge.

DATA SHEET
The Periodic Table of the Elements

		Group												
I	II	III	IV	V	VI	VII	0						0	
		1 H Hydrogen 1											4 He Helium 2	
7 Li Lithium 3	9 Be Beryllium 4											20 Ne Neon 10		
23 Na Sodium 11	24 Mg Magnesium 12	11 B Boron 5	12 C Carbon 6	14 N Nitrogen 7	16 O Oxygen 8	19 F Fluorine 9						35.5 Cl Chlorine 17		
39 K Potassium 19	40 Ca Calcium 20	27 Al Aluminium 13	28 Si Silicon 14	31 P Phosphorus 15	32 S Sulfur 16						84 Kr Krypton 36			
85 Rb Rubidium 37	88 Sr Strontium 38	70 Ga Gallium 31	73 Ge Germanium 32	75 As Arsenic 33	79 Se Selenium 34						131 Xe Xenon 54			
133 Cs Caesium 55	137 Ba Barium 56	65 Zn Zinc 30	64 Cu Copper 29	106 Pd Palladium 46	108 Ag Silver 47	112 Cd Cadmium 48	115 In Indium 49	119 Sn Tin 50	122 Sb Antimony 51	127 I Iodine 53				
226 Ra Radium 88	227 Ac Actinium 89	204 Tl Thallium 81	197 Au Gold 79	195 Pt Platinum 78	199 Hg Mercury 80	201 Hg Mercury 80	204 Tl Thallium 81	207 Pb Lead 82	209 Bi Bismuth 83	210 Po Polonium 84				
		140 Ce Cerium 58	141 Pr Praseodymium 59	144 Nd Neodymium 60	150 Sm Samarium 62	152 Eu Europium 63	157 Gd Gadolinium 64	162 Dy Dysprosium 66	165 Ho Holmium 67	167 Er Erbium 68	173 Yb Ytterbium 70	175 Lu Lutetium 71		
		232 Th Thorium 90	238 U Uranium 92	238 U Uranium 92	94 Pu Plutonium 94	95 Am Americium 95	96 Cm Curium 96	97 Bk Berkelium 97	98 Cf Californium 98	99 Es Einsteinium 99	100 Fm Fermium 100	101 Md Mendelevium 101	102 No Nobelium 102	103 Lr Lawrencium 103

*58-71 Lanthanoid series
†90-103 Actinoid series

a	X
Key	b

a = relative atomic mass
X = atomic symbol
b = proton (atomic) number

The volume of one mole of any gas is 24 dm³ at room temperature and pressure (r.t.p.).