



UNIVERSITY OF CAMBRIDGE INTERNATIONAL EXAMINATIONS
International General Certificate of Secondary Education

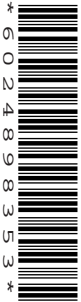
CANDIDATE
NAME

CENTRE
NUMBER

--	--	--	--	--

CANDIDATE
NUMBER

--	--	--	--



PHYSICS

0625/31

Paper 3 Extended

October/November 2009

1 hour 15 minutes

Candidates answer on the Question Paper.

No Additional Materials are required.

READ THESE INSTRUCTIONS FIRST

Write your Centre number, candidate number and name on all the work you hand in.

Write in dark blue or black pen.

You may use a soft pencil for any diagrams, graphs or rough working.

Do not use staples, paper clips, highlighters, glue or correction fluid.

DO **NOT** WRITE IN ANY BARCODES.

Answer **all** questions.

You may lose marks if you do not show your working or if you do not use appropriate units.

Take the weight of 1 kg to be 10 N (i.e. acceleration of free fall = 10 m/s²).

At the end of the examination, fasten all your work securely together.

The number of marks is given in brackets [] at the end of each question or part question.

This document consists of **16** printed pages.



1 Fig 1.1 shows part of a measuring instrument.

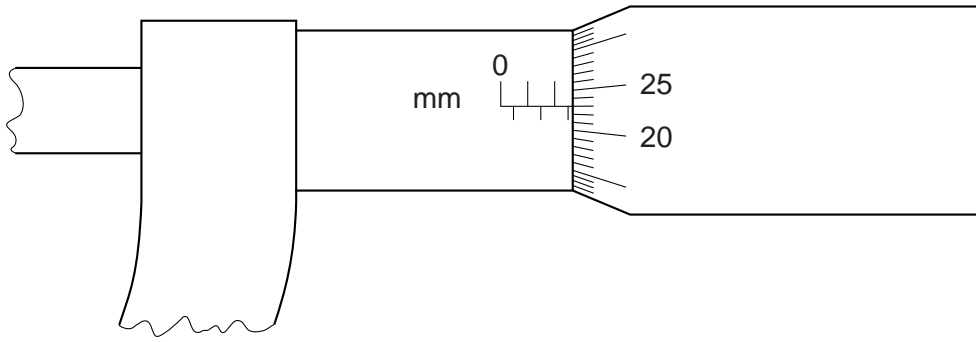


Fig. 1.1

(a) State the name of this instrument.

..... [1]

(b) Record the reading shown in Fig. 1.1.

..... [1]

(c) Describe how you would find the thickness of a sheet of paper used in a magazine.

.....
.....
.....
.....
.....
..... [3]

[Total: 5]

2 The list below gives the approximate densities of various metals.

gold	19 g/cm ³
lead	11 g/cm ³
copper	9 g/cm ³
iron	8 g/cm ³

For
Examiner's
Use

At an antiques market, a collector buys what is advertised as a small ancient gold statue. When the collector tests it in the laboratory, he finds its mass is 600g and its volume is 65 cm³.

(a) In the space below, describe how the volume of the statue could be measured. You may draw diagrams if you wish.

[3]

(b) Use the figures given above to decide whether the statue was really made of gold. Show your working.

Was the statue made of gold? (Tick one box.)

yes	<input type="checkbox"/>
no	<input type="checkbox"/>

[3]

[Total: 6]

- 3 A student investigated the stretching of a spring by hanging various weights from it and measuring the corresponding extensions. The results are shown below.

For
Examiner's
Use

weight/N	0	1	2	3	4	5
extension/mm	0	21	40	51	82	103

- (a) On Fig. 3.1, plot the points from these results. Do not draw a line through the points yet. [2]

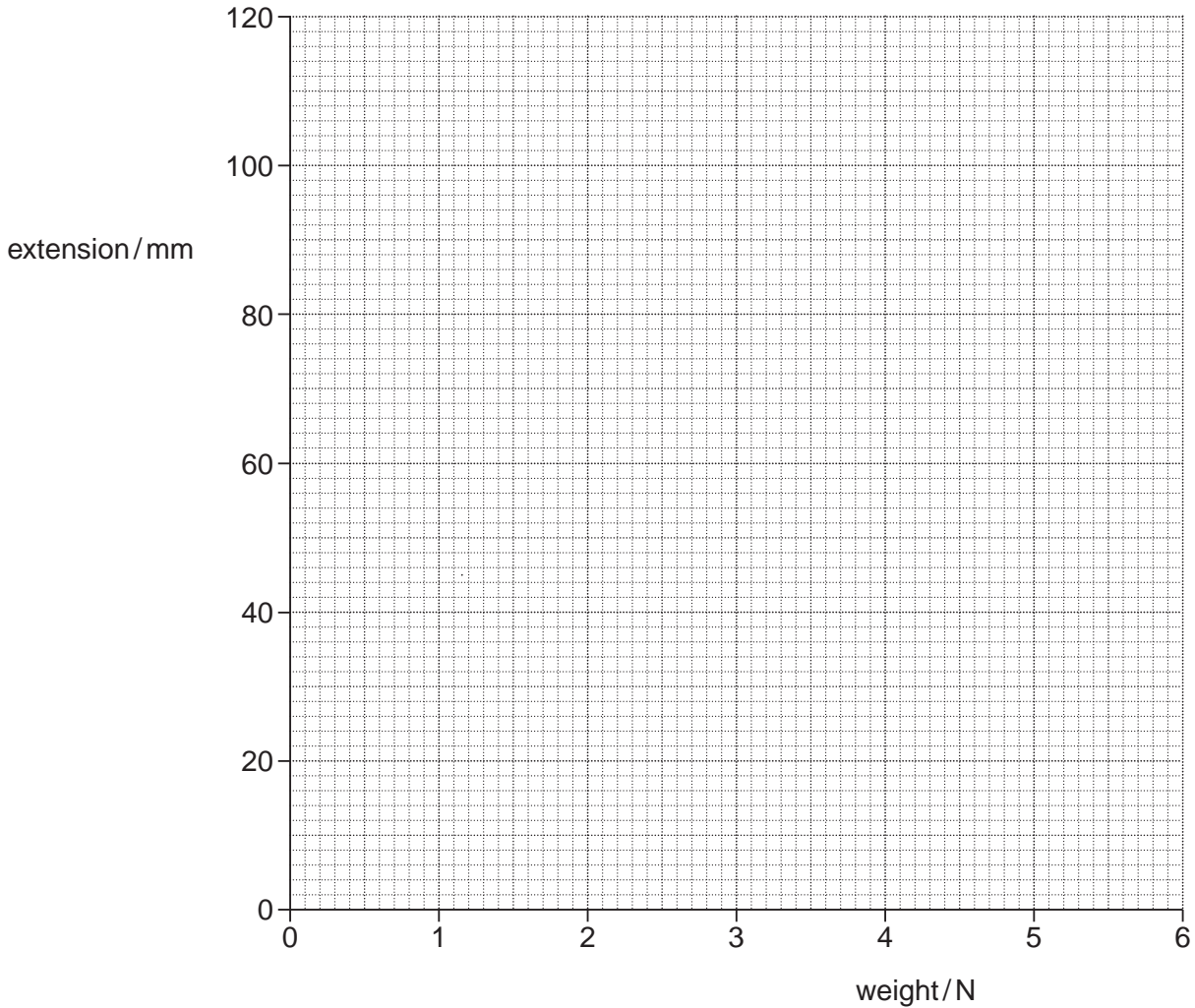


Fig. 3.1

(b) The student appears to have made an error in recording one of the results.

Which result is this?

..... [1]

(c) Ignoring the incorrect result, draw the best straight line through the remaining points.

[1]

(d) State and explain whether this spring is obeying Hooke's Law.

.....
.....
.....
.....
..... [2]

(e) Describe how the graph might be shaped if the student continued to add several more weights to the spring.

.....
.....
.....
..... [1]

(f) The student estimates that if he hangs a 45 N load on the spring, the extension will be 920 mm.

Explain why this estimate may be unrealistic.

.....
.....
.....
..... [1]

[Total: 8]

4 (a) A force acting on an object causes the object to accelerate.

In which direction is the acceleration?

..... [1]

(b) Any object moving in a circle has a force acting on it towards the centre of the circle.

What does this force do to the object?

..... [1]

(c) A woman of mass 60kg is standing in a lift at a shopping centre.

(i) The lift is at rest.

1. State the value of the weight of the woman.

..... [1]

2. State the value of the force exerted on the woman by the floor of the lift.

..... [1]

(ii) Calculate the force required to accelerate a mass of 60 kg at 2.5 m/s^2 .

force = [2]

(iii) The lift accelerates upwards at 2.5 m/s^2 .

Calculate the force exerted on the woman by the floor when the lift is accelerating.

force = [1]

(iv) The lift reaches a steady upward speed.

State the value of the force exerted on the woman by the floor at this steady speed.

..... [1]

[Total: 8]

- 5 A farmer uses an electric pump to raise water from a river in order to fill the irrigation channels that keep the soil in his fields moist.

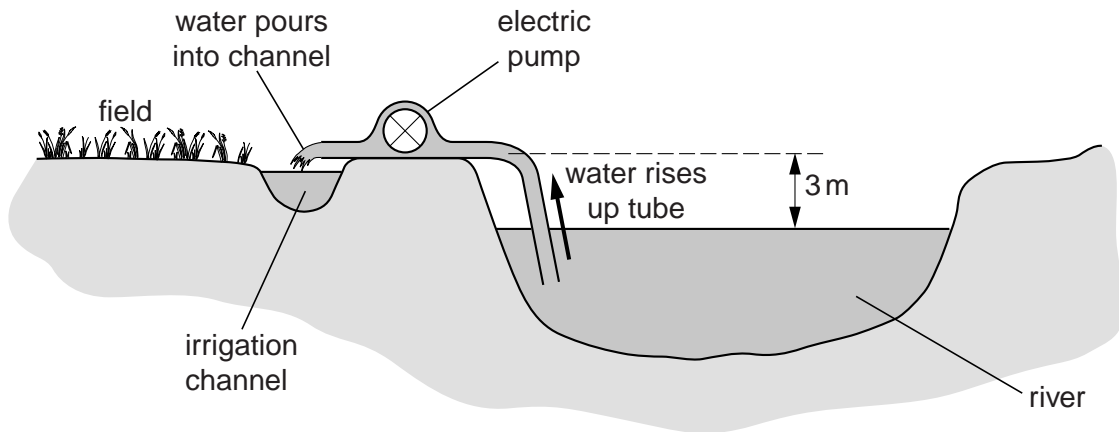


Fig. 5.1

Every minute, the pump raises 12 kg of water through a vertical height of 3 m.

- (a) Calculate the increase in the gravitational potential energy of 12 kg of water when it is raised 3 m.

increase in gravitational potential energy = [3]

- (b) Calculate the useful power output of the pump as it raises the water.

power = [3]

[Total: 6]

6 A vertical cylinder has a smooth well-fitting piston in it. Weights can be added to or removed from a tray on the top of the piston.

(a) Weights are added to the tray, as shown in Fig. 6.1.

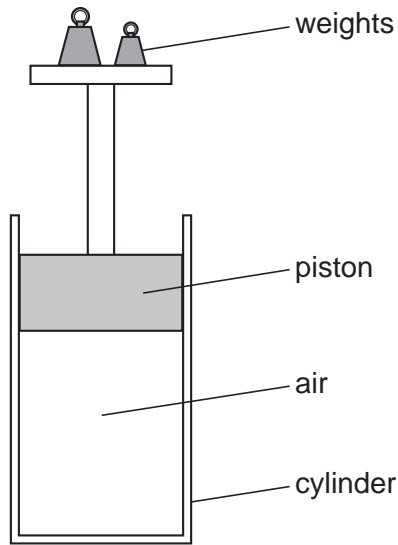


Fig. 6.1

(i) State what happens to the pressure of the air in the cylinder as a result of adding these weights.

..... [1]

(ii) The initial pressure of the trapped air is 1.05×10^5 Pa. When the weights are added, the volume of the air decreases from 860 cm^3 to 645 cm^3 .

The temperature of the air does not change.

Calculate the final pressure of the trapped air.

pressure = [3]

(iii) The area of the piston is $5.0 \times 10^{-3} \text{ m}^2$.

Calculate the weight that is added to the piston.

weight added = [4]

(b) The weights are kept as shown in Fig. 6.1. The temperature of the air in the cylinder is increased.

(i) State what happens to the volume of the air in the cylinder as a result of this temperature rise.

..... [1]

(ii) State how, if at all, the pressure of the air changes as the temperature changes.

..... [1]

(iii) State what must be done to prevent the volume change in **(b)(i)**.

..... [1]

(iv) The volume change in **(b)(i)** is prevented. State what happens to the pressure of the air in the cylinder.

..... [1]

[Total: 12]

- 7 Three wires and a meter are used to construct a thermocouple for measuring the surface temperature of a pipe carrying hot liquid, as shown in Fig. 7.1.

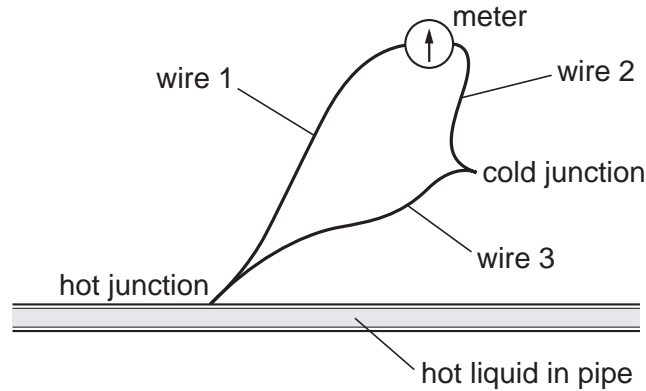


Fig. 7.1

- (a) Copper wire and constantan wire are used in the construction of the thermocouple.

State which metal might be used for

wire 1

wire 2

wire 3

[1]

- (b) State what type of meter is used.

..... [1]

- (c) State one particular advantage of thermocouples for measuring temperature.

..... [1]

[Total: 3]

- 8 Fig. 8.1 shows a thin converging lens. The two principal foci are shown.

For
Examiner's
Use

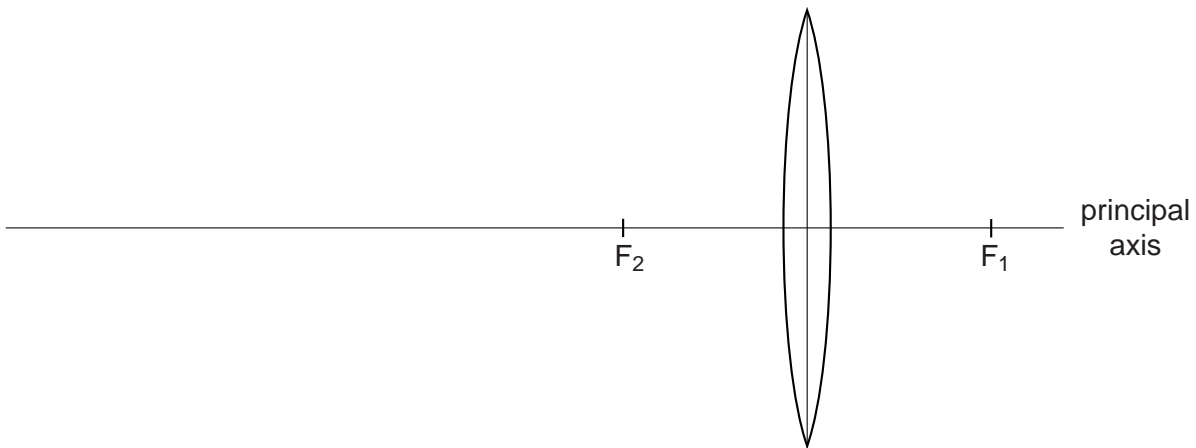


Fig. 8.1

A vertical object, 2 cm tall, is to be positioned to the left of the lens, with one end on the principal axis.

On Fig. 8.1,

- (a) draw the object in a position which will produce a virtual image, labelling the object with the letter O, [1]
- (b) draw two rays showing how the virtual image is formed, [2]
- (c) draw in the image, labelling it with the letter I. [1]

[Total: 4]

9 (a) State what is meant by *specific heat capacity*.

.....
 [2]

(b) Water has a very high specific heat capacity.

Suggest why this might be a disadvantage when using water for cooking.

.....
 [1]

(c) Fig. 9.1 illustrates an experiment to measure the specific heat capacity of some metal.

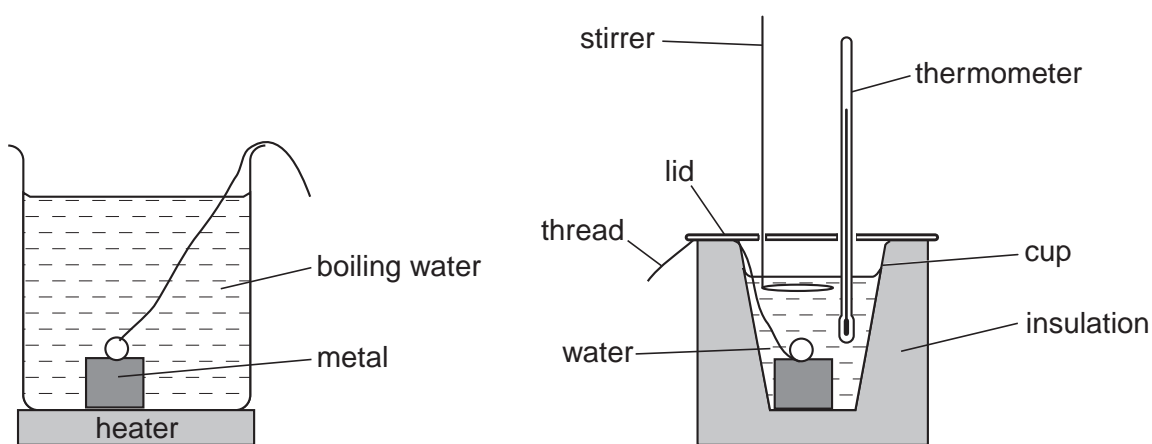


Fig. 9.1

The piece of metal is heated in boiling water until it has reached the temperature of the water. It is then transferred rapidly to some water in a well-insulated cup. A very sensitive thermometer is used to measure the initial and final temperatures of the water in the cup.

specific heat capacity of water = 4200 J/(kgK)

The readings from the experiment are as follows.

mass of metal = 0.050 kg

mass of water in cup = 0.200 kg

initial temperature of water in cup = 21.1 °C

final temperature of water in cup = 22.9 °C

(i) Calculate the temperature rise of the water in the cup and the temperature fall of the piece of metal.

temperature rise of water =

temperature fall of metal =

[1]

- (ii) Calculate the thermal energy gained by the water in the cup. State the equation that you use.

For
Examiner's
Use

thermal energy gained = [3]

- (iii) Assume that only the water gained thermal energy from the piece of metal.

Making use of your answers to (c)(i) and (c)(ii), calculate the value of the specific heat capacity of the metal. Give your answer to 3 significant figures.

specific heat capacity = [2]

- (iv) Suggest one reason why the experiment might not have given a correct value for the specific heat capacity of the metal.

.....
..... [1]

[Total: 10]

- 10 Alternating current electricity is delivered at 22000V to a pair of transmission lines. The transmission lines carry the electricity to the customer at the receiving end, where the potential difference is V . This is shown in Fig. 10.1. Each transmission line has a resistance of $3\ \Omega$.

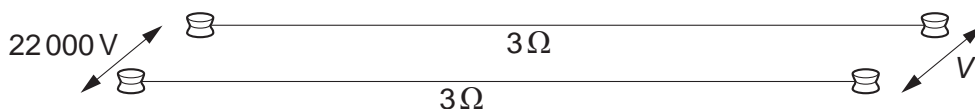


Fig. 10.1

- (a) The a.c. generator actually generates at a much lower voltage than 22000V.
- (i) Suggest how the voltage is increased to 22000V.
 [1]
- (ii) State one advantage of delivering electrical energy at high voltage.
 [1]
- (b) The power delivered by the generator is 55 kW. Calculate the current in the transmission lines.

current = [2]

- (c) Calculate the rate of loss of energy from one of the $3\ \Omega$ transmission lines.

rate of energy loss = [2]

(d) Calculate the voltage drop across one of the transmission lines.

For
Examiner's
Use

voltage drop = [2]

(e) Calculate the potential difference V at the receiving end of the transmission lines.

$V =$ [2]

[Total: 10]

Question 11 is on the next page.

