

1 Adam owns a farm.

- (a) He plans to keep twenty hens.
He works out what he thinks this will cost.

Complete the following table.

Item	Cost (\$)
Equipment	500
20 hens costing \$12 each	
3 years supply of feed costing \$25 per month	
TOTAL	

[3]

- (b) The equipment actually costs \$600.

The ratio of costs is equipment : hens : feed = 5 : 3 : 9 .

- (i) Show that the total cost is now \$2040.

Answer(b)(i)

[2]

- (ii) Adam actually buys more than 20 hens, each costing \$12.

How many hens does he buy?

Answer(b)(ii) [2]

- (c) Adam makes \$2920 from selling his hens' eggs.
Calculate his percentage profit on the \$2040.

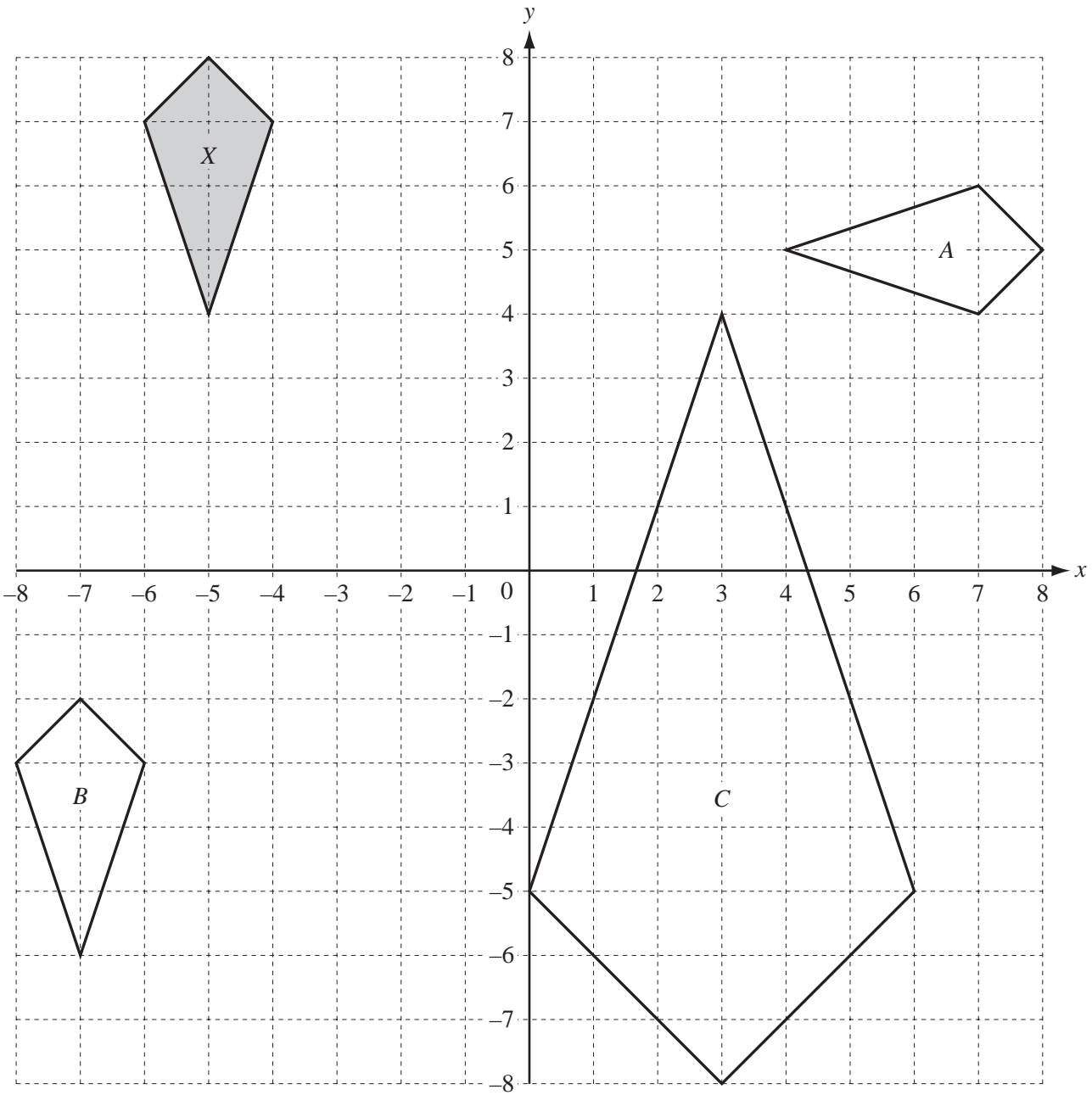
For
Examiner's
Use

Answer(c) % [2]

- (d) Adam borrows \$1500 for 3 years at a rate of 5.5% per year compound interest.
Calculate the interest he will pay, correct to the nearest cent.

Answer(d) \$ [3]

2 The diagram shows four quadrilaterals drawn on a 1 cm^2 grid.



(a) Write down the mathematical name of the quadrilateral X.

Answer(a) [1]

(b) Describe fully the **single** transformation that maps quadrilateral X onto quadrilateral

(i) A,

Answer(b)(i)
..... [3]

(ii) B,

Answer(b)(ii)
..... [2]

(iii) C.

Answer(b)(iii)
..... [3]

(c) (i) Calculate the length of the longest side of quadrilateral X.
Show that your answer rounds to 3.16 cm, correct to 3 significant figures.

Answer(c)(i)
..... [2]

(ii) Calculate the perimeter of quadrilateral X.

Answer(c)(ii) cm [3]

(iii) Find the perimeter of quadrilateral C.

Answer(c)(iii) cm [1]

3 (a) Using only the integers from 1 to 50, find

(i) a multiple of both 4 and 7,

Answer(a)(i) [1]

(ii) a square number that is odd,

Answer(a)(ii) [1]

(iii) an even prime number,

Answer(a)(iii) [1]

(iv) a prime number which is one less than a multiple of 5.

Answer(a)(iv) [1]

(b) Find the value of

(i) $(\sqrt{5})^2$,

Answer(b)(i) [1]

(ii) $2^{-3} \times 6^3$.

Answer(b)(ii) [2]

4 (a) A regular polygon has 9 sides.
For this polygon, calculate

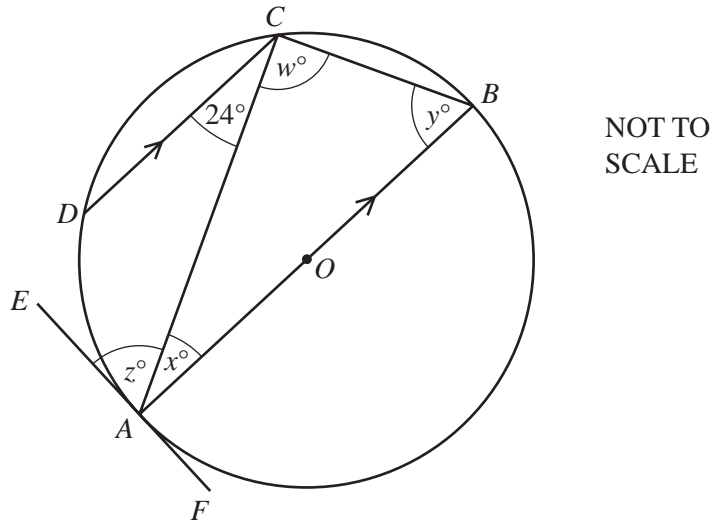
(i) the size of one exterior angle,

Answer(a)(i) [2]

(ii) the size of one interior angle.

Answer(a)(ii) [1]

(b)



In the diagram, A, B, C and D are points on the circumference of a circle, centre O .
 AB is the diameter and EF is a tangent to the circle at A .
 AB is parallel to DC and angle $ACD = 24^\circ$.

Find

(i) w ,

Answer(b)(i) $w =$ [1]

(ii) x ,

Answer(b)(ii) $x =$ [1]

(iii) y .

Answer(b)(iii) $y =$ [1]

(c) Complete the statement.

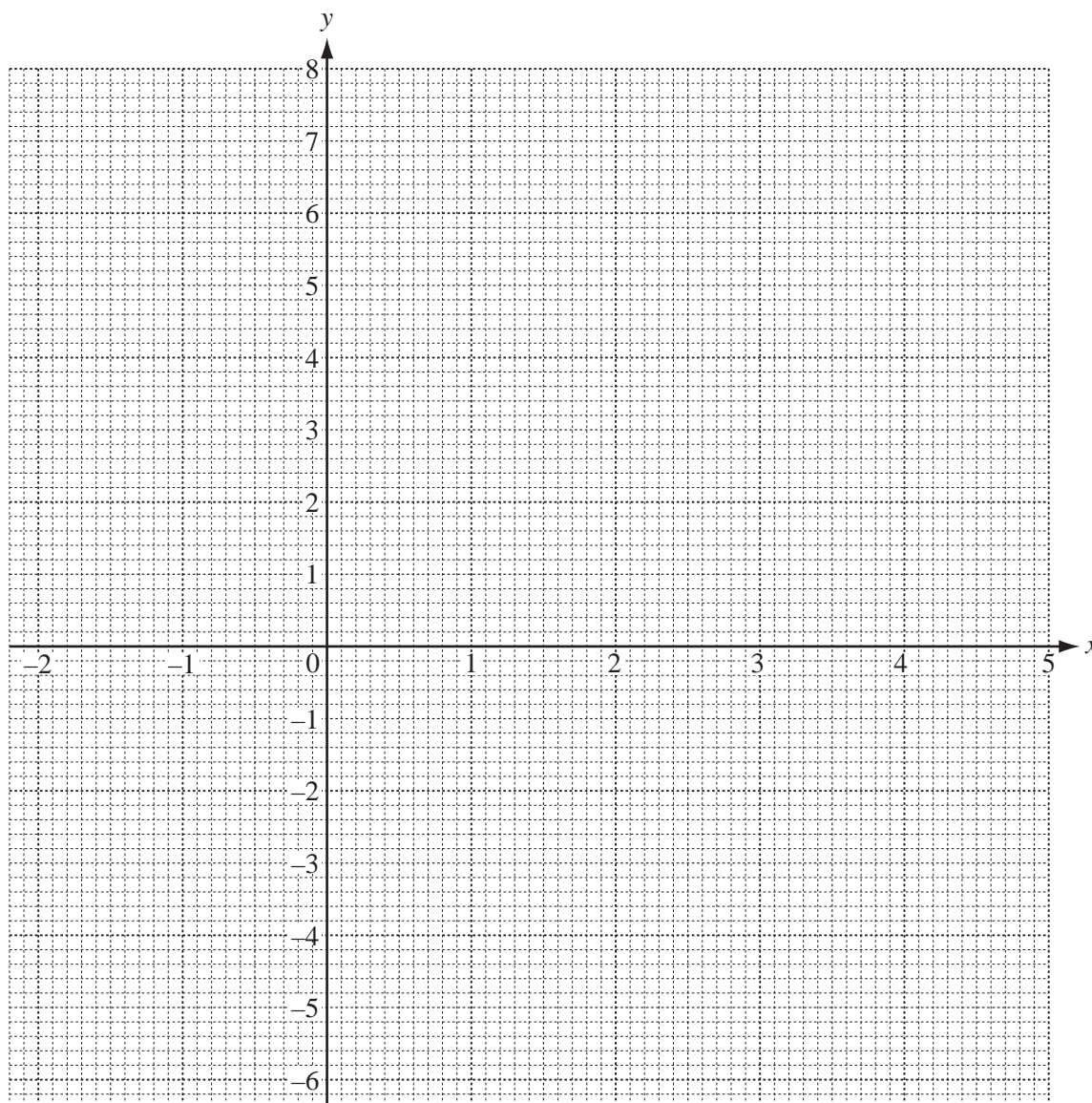
$z =$ because
..... [2]

- 5 (a) (i) Complete the table for $y = 5 + 3x - x^2$.

x	-2	-1	0	1	2	3	4	5
y	-5		5	7		5		-5

[3]

- (ii) On the grid, draw the graph of $y = 5 + 3x - x^2$ for $-2 \leq x \leq 5$.



[4]

- (b) Use your graph to solve the equation $5 + 3x - x^2 = 0$.

Answer(b) $x = \dots\dots\dots$ or $x = \dots\dots\dots$ [2]

- (c) (i) On the grid, draw the line of symmetry of $y = 5 + 3x - x^2$. [1]
(ii) Write down the equation of this line of symmetry.

Answer(c)(ii) [1]

- (d) (i) On the grid, draw a straight line from $(-1, 1)$ to $(3, 5)$. [1]
(ii) Work out the gradient of this line.

Answer(d)(ii) [2]

- (iii) Write down the equation of this line in the form $y = mx + c$.

Answer(d)(iii) $y =$ [1]

6 Alison scored the following number of runs in 15 cricket matches.

12	3	27	35	0
7	52	4	18	30
18	7	94	61	7

(a) For these scores,

(i) work out the median,

Answer(a)(i) [2]

(ii) write down the mode,

Answer(a)(ii) [1]

(iii) calculate the mean.

Answer(a)(iii) [2]

(b) These are the averages for the number of runs scored by Bethan in the 15 matches.

Median = 21 Mode = 13 Mean = 20

Alison says that her scores are better than Bethan's scores.

Bethan says that her scores are better than Alison's scores.

Explain how they could both be correct.

Answer(b)
.....
..... [2]

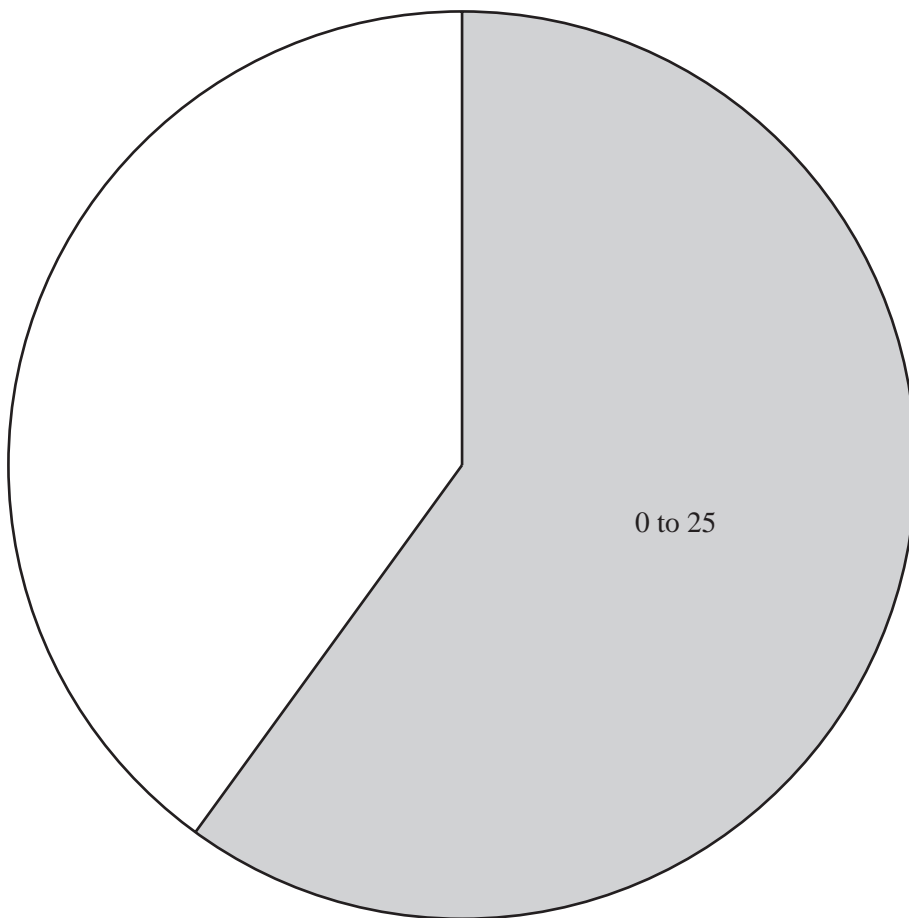
(c) Alison puts her 15 scores into 4 groups and shows them in a pie chart.

(i) Complete the table.

Score	Frequency	Sector Angle
0 to 25	9	216°
26 to 50		
51 to 75		
76 to 100		

[3]

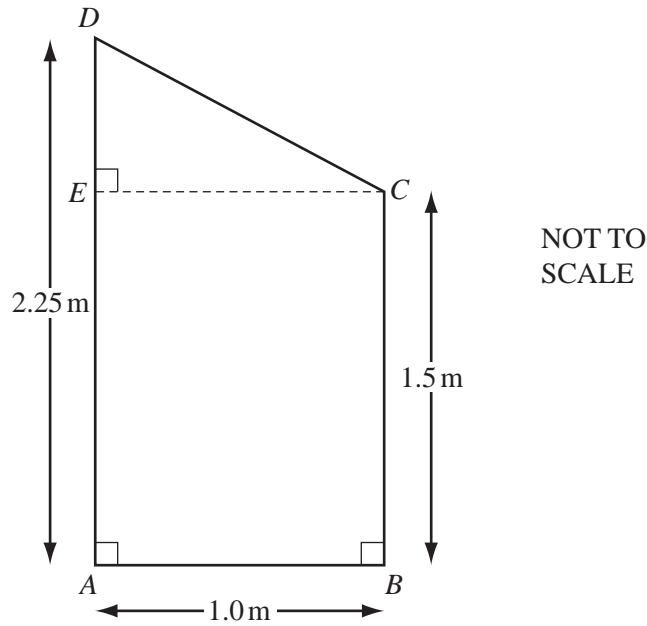
(ii) Complete the pie chart and label the sectors.



[3]

(d) Estimate the probability that in the next match Alison will score more than 25 runs.
Give your answer as a fraction in its simplest form.

Answer(d) [2]



The diagram shows a trapezium $ABCD$.
 $AB = 1.0\text{ m}$, $AD = 2.25\text{ m}$, $BC = 1.5\text{ m}$ and angle $DEC = 90^\circ$.

(a) Using trigonometry, calculate angle DCE .

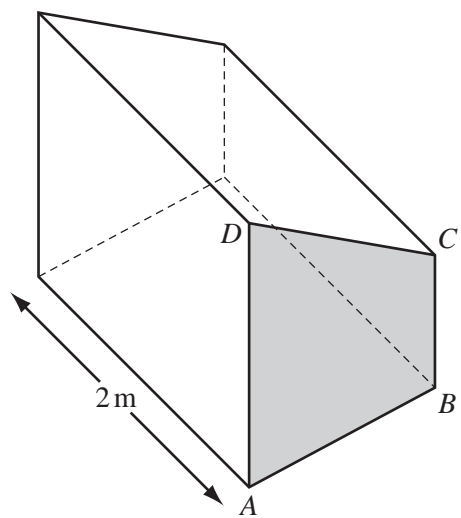
Answer(a) Angle $DCE = \dots\dots\dots$ [3]

(b) Calculate the area of the trapezium $ABCD$.

Answer(b) $\dots\dots\dots\text{ m}^2$ [2]

(c) $ABCD$ is the cross-section of a box.
 The box is 2 m long.

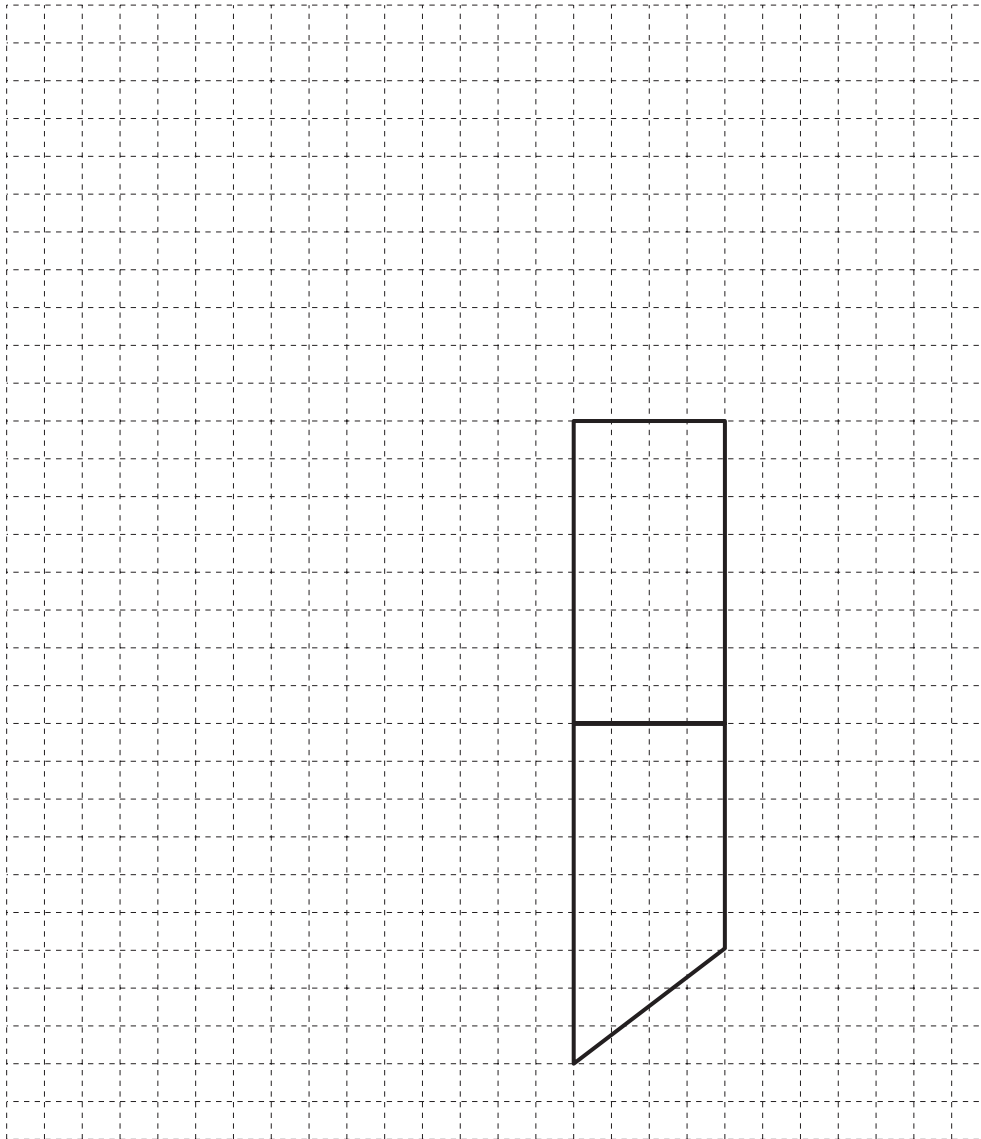
Calculate the volume of the box.



Answer(c) $\dots\dots\dots\text{ m}^3$ [1]

- (d) On the grid, complete the net of the box.
The base and one face of the box have been drawn for you.

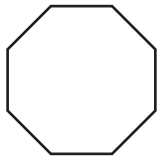
The scale is 2 cm to 1 m.



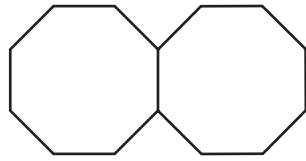
[4]

*For
Examiner's
Use*

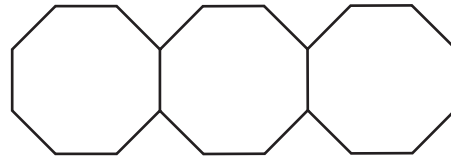
8 Here is a sequence of patterns made using identical polygons.



Pattern 1



Pattern 2



Pattern 3

(a) Write down the mathematical name of the polygon in Pattern 1.

Answer(a) [1]

(b) Complete the table for the number of vertices (corners) and the number of lines in Pattern 3, Pattern 4 and Pattern 7.

Pattern	1	2	3	4		7
Number of vertices	8	14				
Number of lines	8	15				

[5]

(c) (i) Find an expression for the number of **vertices** in Pattern n .

Answer(c)(i) [2]

(ii) Work out the number of vertices in Pattern 23.

Answer(c)(ii) [1]

(d) Find an expression for the number of **lines** in Pattern n .

Answer(d) [2]

(e) Work out an expression, in its simplest form, for

(number of lines in Pattern n) – (number of vertices in Pattern n).

Answer(e) [2]

Question 9 is printed on the next page.

9 (a) The formula for the volume, V , of a cone with radius r , and height h , is $V = \frac{1}{3}\pi r^2 h$.

(i) To make r the subject of this formula, the first step is $3V = \pi r^2 h$.

Show the remaining steps to make r the subject of this formula.

Answer(a)(i) $r = \dots\dots\dots$ [2]

(ii) An ice-cream cone has a volume of 141 cm^3 and height 15 cm.

Show that the radius of the cone is 3 cm, correct to the nearest whole number.

Answer(a)(ii)

[2]

(b) The open end of an ice-cream cone is a circle of radius 3 cm.

Calculate the circumference of this circle.

Answer(b) $\dots\dots\dots$ cm [2]

(c) The volume of a ball of ice-cream is 113 cm^3 .

The ball of ice-cream costs \$2.15 .

Calculate the cost of 1 cm^3 of the ice-cream.

Give your answer in cents, correct to 1 decimal place.

Answer(c) $\dots\dots\dots$ cents [3]

Permission to reproduce items where third-party owned material protected by copyright is included has been sought and cleared where possible. Every reasonable effort has been made by the publisher (UCLES) to trace copyright holders, but if any items requiring clearance have unwittingly been included the publisher will be pleased to make amends at the earliest possible opportunity.

University of Cambridge International Examinations is part of the Cambridge Assessment Group. Cambridge Assessment is the brand name of University of Cambridge Local Examinations Syndicate (UCLES), which is itself a department of the University of Cambridge.