



UNIVERSITY OF CAMBRIDGE INTERNATIONAL EXAMINATIONS  
International General Certificate of Secondary Education

CANDIDATE  
NAME

CENTRE  
NUMBER

--	--	--	--	--

CANDIDATE  
NUMBER

--	--	--	--



\* 4 3 0 8 3 1 5 3 8 5 \*

**CHEMISTRY**

**0620/21**

Paper 2

**October/November 2010**

**1 hour 15 minutes**

Candidates answer on the Question Paper.

No Additional Materials are required.

**READ THESE INSTRUCTIONS FIRST**

Write your Centre number, candidate number and name in the spaces at the top of this page.

Write in dark blue or black pen.

You may need to use a pencil for any diagrams, graphs or rough working.

Do not use staples, paper clips, highlighters, glue or correction fluid.

**DO NOT WRITE IN ANY BARCODES.**

Answer **all** questions.

A copy of the Periodic Table is printed on page 20.

At the end of the examination, fasten all your work securely together.

The number of marks is given in brackets [ ] at the end of each question or part question.

For Examiner's Use	
1	
2	
3	
4	
5	
6	
7	
8	
<b>Total</b>	

This document consists of **17** printed pages and **3** blank pages.



- 1 The diagram below shows the elements in a period of the Periodic Table.

<b>Li</b>	<b>Be</b>	<b>B</b>	<b>C</b>	<b>N</b>	<b>O</b>	<b>F</b>	<b>Ne</b>
-----------	-----------	----------	----------	----------	----------	----------	-----------

- (a) To which period of the Periodic Table do these elements belong?

..... [1]

- (b) Answer these questions using only the elements shown in the diagram.  
Each element can be used once, more than once or not at all.

Write down the symbol for the element which

- (i) has six electrons in its outer shell. ....
- (ii) is a halogen. ....
- (iii) is a metal which reacts rapidly with cold water. ....
- (iv) has two forms, graphite and diamond. ....
- (v) is in Group II of the Periodic Table. ....
- (vi) makes up about 80% of the air. .... [6]

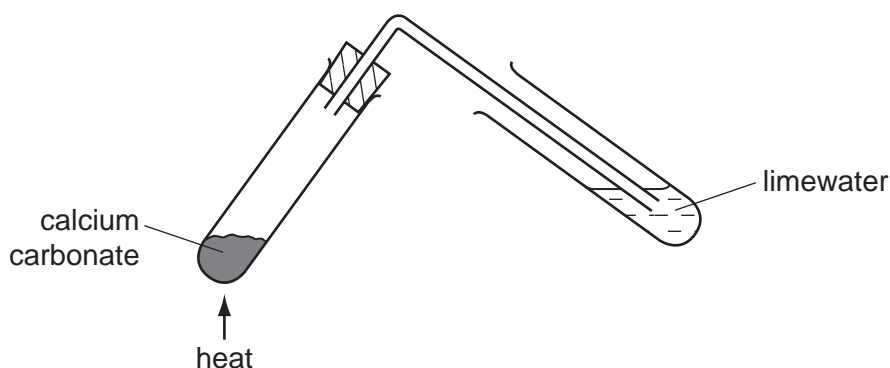
- (c) Complete the following sentence using words from the list below.

**atoms          electrons          molecules          neutrons          protons**

The ..... of the elements in the Periodic Table are arranged in order of  
increasing number of ..... [2]

[Total: 9]

- 2 Calcium carbonate was heated strongly in a test-tube. The gas given off was bubbled through limewater.



- (a) What type of chemical reaction occurs when calcium carbonate is heated strongly?

Put a ring around the correct answer.

hydration

neutralisation

oxidation

thermal decomposition

[1]

- (b) (i) State the name of the gas given off when calcium carbonate is heated strongly.

..... [1]

- (ii) State the colour change of the limewater.

..... [1]

- (c) The product remaining in the test-tube is calcium oxide.

- (i) Calcium oxide is used in steelmaking. Describe how and why calcium oxide is used in making steel.

.....  
 .....  
 ..... [2]

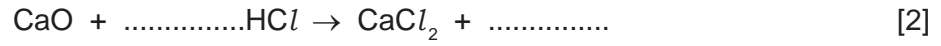
- (ii) Steel is an alloy. What do you understand by the term *alloy*?

.....  
 ..... [1]

(iii) Give **one** other use of calcium oxide.

..... [1]

(iv) Complete the symbol equation for the reaction of calcium oxide with hydrochloric acid.



(v) State the chemical name of the compound  $\text{CaCl}_2$ .

..... [1]

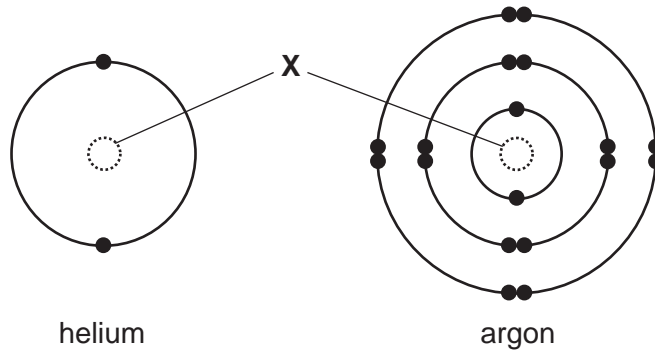
[Total: 10]

3 Helium and argon are noble gases.

(a) State **one** use of helium.

..... [1]

(b) The atomic structures of helium and argon are shown below.



(i) State the name of the central part of the atom, labelled X.

..... [1]

(ii) Which statement about helium and argon is correct?

Tick **one** box.

Argon has an incomplete inner shell of electrons.

An atom of argon has 16 electrons.

Helium has a complete outer shell of electrons.

Helium has an incomplete outer shell of electrons.

[1]

(iii) How many protons are there in an atom of argon?

..... [1]

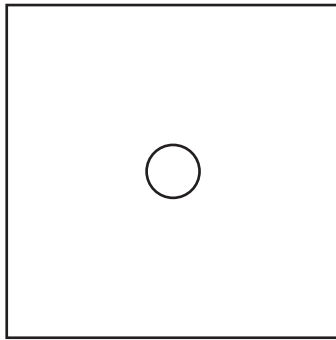
(iv) The symbol for a particular isotope of helium is written as  ${}^4_2\text{He}$ .

Write a similar symbol for the isotope of argon which has 16 neutrons.

[1]

- (c) Argon is a liquid at a temperature of  $-188^{\circ}\text{C}$ .  
Complete the diagram below to show how the atoms of argon are arranged at  $-188^{\circ}\text{C}$ .

○ represents one atom of argon.



[2]

[Total: 7]

For  
Examiner's  
Use

- 4 The table shows the mass of some ions present in a 500 cm<sup>3</sup> bottle of mineral water.

For  
Examiner's  
Use

name of ion	symbol	mass of ion / mg
calcium	Ca <sup>2+</sup>	40.5
	Cl <sup>-</sup>	8.1
magnesium	Mg <sup>2+</sup>	11.6
nitrate	NO <sub>3</sub> <sup>-</sup>	2.4
potassium	K <sup>+</sup>	0.9
	SO <sub>4</sub> <sup>2-</sup>	6.4

- (a) State the name of the following ions.

Cl<sup>-</sup> .....

SO<sub>4</sub><sup>2-</sup> ..... [2]

- (b) Calculate the mass of magnesium ions in 100 cm<sup>3</sup> of this mineral water.

[1]

- (c) (i) Describe a test for nitrate ions.

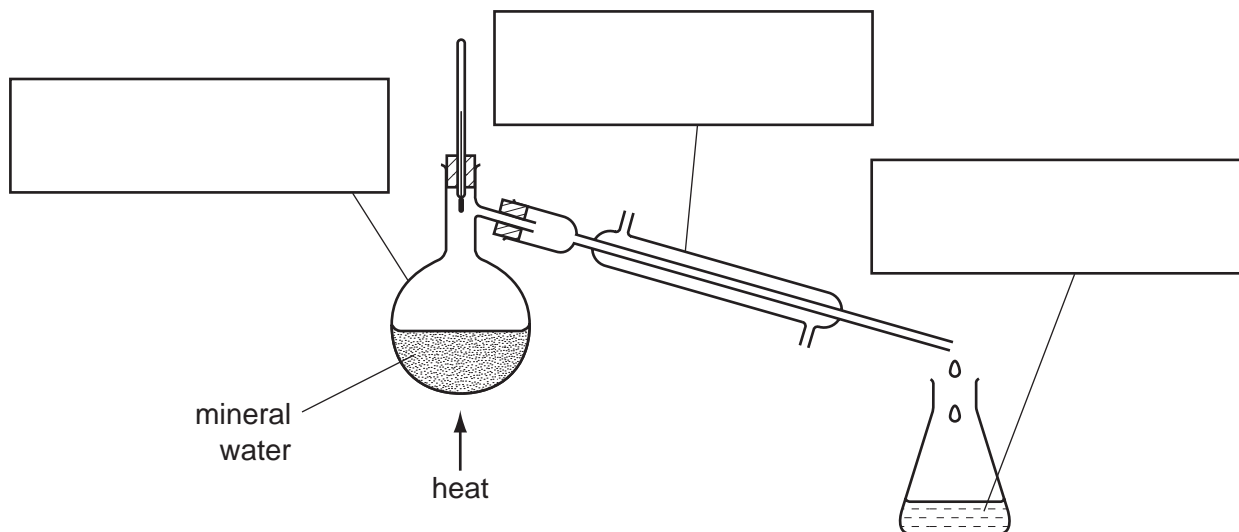
.....

..... [2]

- (ii) The gas produced in this test turns damp red litmus paper blue.  
State the name of this gas.

..... [1]

(d) The apparatus shown is used to get pure water from impure mineral water.



(i) Complete the diagram by putting the correct labels in the three boxes. [3]

(ii) Describe how this apparatus separates pure water from dissolved ionic solids.

.....  
 .....  
 ..... [2]

(iii) Water purity is important in everyday life.  
 Describe **one** other area of everyday life where purity of substances is important.

..... [1]

[Total: 12]



5 A solution of calcium hydroxide in water is alkaline.

(a) Which **one** of the pH values below is alkaline?  
Put a ring around the correct answer.

pH 3

pH 6

pH 7

pH 11

[1]

(b) Which of the following is the common name for calcium hydroxide?  
Tick **one** box.

cement

limestone

quicklime

slaked lime

[1]

(c) Some farmers use calcium hydroxide to control soil acidity.

(i) Why is it important to control soil acidity?

..... [1]

(ii) Acid rain can cause soil to become acidic.  
Describe how acid rain is formed.

.....  
.....  
.....  
..... [3]

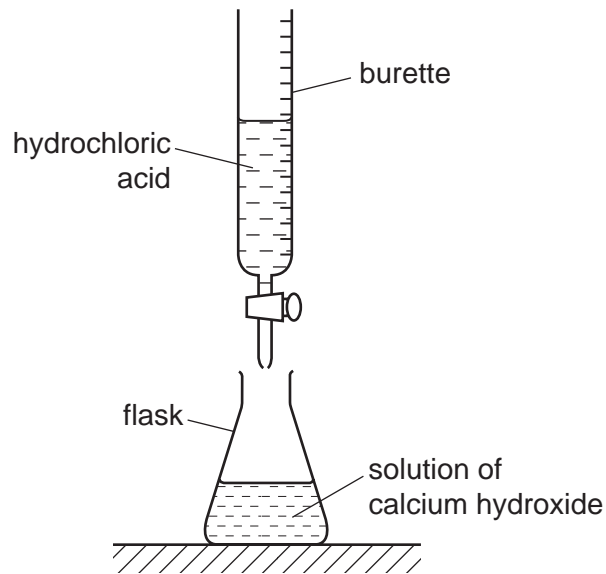
(d) Calcium hydroxide reacts with hydrochloric acid.

calcium hydroxide + hydrochloric acid → calcium chloride + water

(i) State the name of this type of chemical reaction.

..... [1]

- (ii) A dilute solution of calcium hydroxide can be titrated with hydrochloric acid using the apparatus shown.



Describe how you would carry out this titration.

.....

.....

.....

..... [3]

[Total: 10]

6 Iron is extracted from its ore by reduction with carbon. Aluminium is extracted from its ore by electrolysis.

(a) (i) State the name of an ore of aluminium.

..... [1]

(ii) What do you understand by the term *reduction*?

..... [1]

(iii) Suggest why aluminium is **not** extracted from its ore by reduction with carbon.

..... [1]

(b) The table gives information about the reduction of four different metal oxides by heating with carbon.

metal oxide	reduction conditions
lead(II) oxide	reduced very easily using a Bunsen burner
magnesium oxide	reduced with difficulty in a furnace above 2000 °C
nickel(II) oxide	reduced very easily in a furnace above 680 °C
zinc oxide	reduced fairly easily in a furnace above 1200 °C

Use the information in the table to suggest the order of reactivity of these metals.

least reactive  $\longrightarrow$  most reactive

--	--	--	--

[2]

(c) Zinc powder reacts with hydrochloric acid.

The speed of reaction can be followed by measuring the volume of hydrogen gas produced per minute.

What happens to the volume of gas produced per minute when

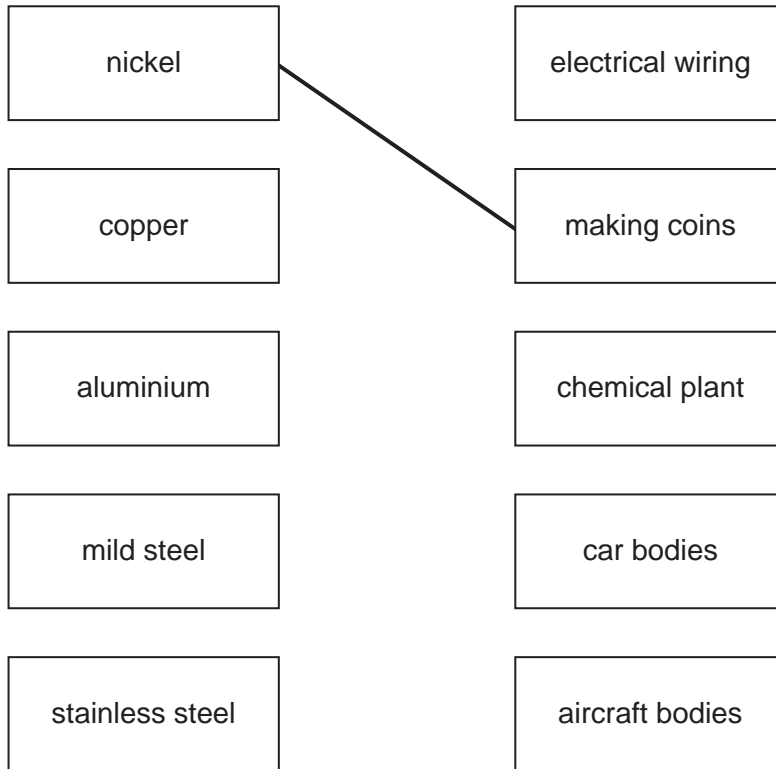
(i) large lumps of zinc are used instead of zinc powder?

..... [1]

(ii) the reaction is carried out at a higher temperature?

..... [1]

- (d) Match the metals on the left with their uses on the right.  
The first one has been done for you.



[4]

[Total: 11]

7 Ethene,  $C_2H_4$ , is manufactured by cracking petroleum fractions.

(a) (i) What do you understand by the term *petroleum fraction*?

.....  
 ..... [1]

(ii) Complete the equation for the manufacture of ethene from dodecane,  $C_{12}H_{26}$ .



(b) Two fractions obtained from the distillation of petroleum are refinery gas and gasoline. State **one** use of each of these fractions.

refinery gas .....

gasoline ..... [2]

(c) Ethene is an unsaturated hydrocarbon. What do you understand by the following terms?

unsaturated .....

hydrocarbon ..... [2]

(d) Ethene is used to make ethanol.

(i) Which of these reactions is used to make ethanol from ethene?  
 Tick **one** box.

catalytic addition of steam

fermentation

oxidation using oxygen

reduction using hydrogen

[1]

(ii) Draw the structure of ethanol showing all atoms and bonds.

[2]

- (e) Ethene is used to make poly(ethene).  
Complete the following sentences about this reaction.  
Use words from the list below.

**additions      carbohydrates      catalysts      monomers      polymers**

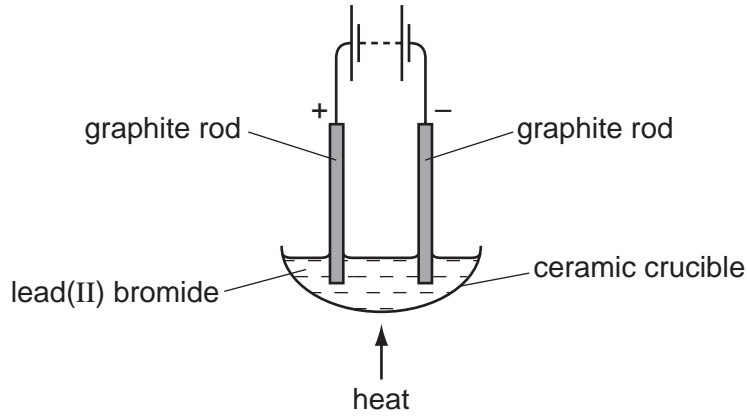
The ethene molecules which join to form poly(ethene) are the .....

The poly(ethene) molecules formed are .....

[2]

[Total: 11]

8 Lead(II) bromide can be electrolysed using the apparatus shown below.



(a) Choose **one** word from the list below which describes the graphite rods.  
Put a ring around the correct answer.

**cations**      **electrodes**      **electrons**      **insulators**      **metals**      [1]

(b) State the name of the products formed during this electrolysis at

the negative graphite rod. ....

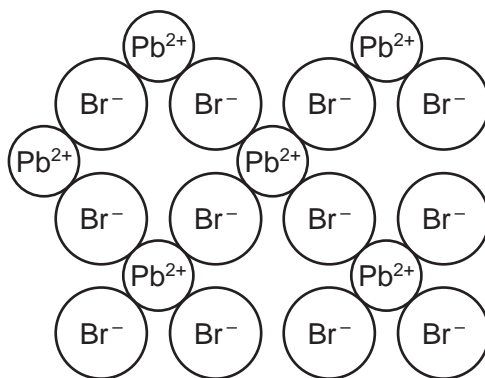
the positive graphite rod. .... [2]

(c) Which of the following conduct electricity?  
Tick **two** boxes.

- ceramic crucible
- graphite rod
- molten lead(II) bromide
- solid lead(II) bromide

[2]

(d) The structure of lead(II) bromide is shown below.



Write the simplest formula for lead(II) bromide.

..... [1]

(e) Lead(II) bromide is formed as a precipitate when aqueous solutions of lead(II) nitrate and potassium bromide are mixed.

(i) What do you understand by the term *precipitate*?

.....  
..... [1]

(ii) The formula of lead(II) nitrate is  $\text{Pb}(\text{NO}_3)_2$ .  
State the number of different types of atom present in this formula.

..... [1]

(iii) State the total number of oxygen atoms present in this formula.

..... [1]

(iv) Lead compounds are pollutants in the air.  
State one harmful effect of lead compounds on health.

..... [1]

[Total: 10]









**DATA SHEET**  
**The Periodic Table of the Elements**

		Group																																																																																														
I	II	III	IV	V	VI	VII	0																																																																																									
7 <b>Li</b> Lithium 3	9 <b>Be</b> Beryllium 4	1 <b>H</b> Hydrogen 1	11 <b>B</b> Boron 5	12 <b>C</b> Carbon 6	13 <b>Al</b> Aluminium 13	14 <b>N</b> Nitrogen 7	15 <b>O</b> Oxygen 8	16 <b>F</b> Fluorine 9	17 <b>Ne</b> Neon 10	18 <b>Ar</b> Argon 18	19 <b>K</b> Potassium 19	20 <b>Ca</b> Calcium 20	21 <b>Sc</b> Scandium 21	22 <b>Ti</b> Titanium 22	23 <b>V</b> Vanadium 23	24 <b>Cr</b> Chromium 24	25 <b>Mn</b> Manganese 25	26 <b>Fe</b> Iron 26	27 <b>Co</b> Cobalt 27	28 <b>Ni</b> Nickel 28	29 <b>Cu</b> Copper 29	30 <b>Zn</b> Zinc 30	31 <b>Ga</b> Gallium 31	32 <b>Ge</b> Germanium 32	33 <b>As</b> Arsenic 33	34 <b>Se</b> Selenium 34	35 <b>Br</b> Bromine 35	36 <b>Kr</b> Krypton 36	37 <b>Rb</b> Rubidium 37	38 <b>Sr</b> Strontium 38	39 <b>Y</b> Yttrium 39	40 <b>Zr</b> Zirconium 40	41 <b>Nb</b> Niobium 41	42 <b>Mo</b> Molybdenum 42	43 <b>Tc</b> Technetium 43	44 <b>Ru</b> Ruthenium 44	45 <b>Rh</b> Rhodium 45	46 <b>Pd</b> Palladium 46	47 <b>Ag</b> Silver 47	48 <b>Cd</b> Cadmium 48	49 <b>In</b> Indium 49	50 <b>Sn</b> Tin 50	51 <b>Sb</b> Antimony 51	52 <b>Te</b> Tellurium 52	53 <b>I</b> Iodine 53	54 <b>Xe</b> Xenon 54	55 <b>Cs</b> Caesium 55	56 <b>Ba</b> Barium 56	57 <b>La</b> Lanthanum 57	72 <b>Hf</b> Hafnium 72	73 <b>Ta</b> Tantalum 73	74 <b>W</b> Tungsten 74	75 <b>Re</b> Rhenium 75	76 <b>Os</b> Osmium 76	77 <b>Ir</b> Iridium 77	78 <b>Pt</b> Platinum 78	79 <b>Au</b> Gold 79	80 <b>Hg</b> Mercury 80	81 <b>Tl</b> Thallium 81	82 <b>Pb</b> Lead 82	83 <b>Bi</b> Bismuth 83	84 <b>Po</b> Polonium 84	85 <b>At</b> Astatine 85	86 <b>Rn</b> Radon 86	87 <b>Fr</b> Francium 87	88 <b>Ra</b> Radium 88	89 <b>Ac</b> Actinium 89	90 <b>Th</b> Thorium 90	91 <b>Pa</b> Protactinium 91	92 <b>U</b> Uranium 92	93 <b>Np</b> Neptunium 93	94 <b>Pu</b> Plutonium 94	95 <b>Am</b> Americium 95	96 <b>Cm</b> Curium 96	97 <b>Bk</b> Berkelium 97	98 <b>Cf</b> Californium 98	99 <b>Es</b> Einsteinium 99	100 <b>Fm</b> Fermium 100	101 <b>Md</b> Mendelevium 101	102 <b>No</b> Nobelium 102	103 <b>Lr</b> Lawrencium 103	104 <b>Rf</b> Rutherfordium 104	105 <b>Db</b> Dubnium 105	106 <b>Sg</b> Seaborgium 106	107 <b>Bh</b> Bohrium 107	108 <b>Hs</b> Hassium 108	109 <b>Mt</b> Meitnerium 109	110 <b>Ds</b> Darmstadtium 110	111 <b>Rg</b> Roentgenium 111	112 <b>Cn</b> Copernicium 112	113 <b>Nh</b> Nihonium 113	114 <b>Fl</b> Flerovium 114	115 <b>Mc</b> Moscovium 115	116 <b>Lv</b> Livermorium 116	117 <b>Ts</b> Tennessine 117	118 <b>Og</b> Oganesson 118
												140 <b>Ce</b> Cerium 58	141 <b>Pr</b> Praseodymium 59	144 <b>Nd</b> Neodymium 60	150 <b>Sm</b> Samarium 62	152 <b>Eu</b> Europium 63	157 <b>Gd</b> Gadolinium 64	159 <b>Tb</b> Terbium 65	162 <b>Dy</b> Dysprosium 66	165 <b>Ho</b> Holmium 67	167 <b>Er</b> Erbium 68	169 <b>Tm</b> Thulium 69	173 <b>Yb</b> Ytterbium 70	175 <b>Lu</b> Lutetium 71	232 <b>Th</b> Thorium 90	238 <b>U</b> Uranium 92	238 <b>Pa</b> Protactinium 91	238 <b>U</b> Uranium 92	238 <b>Np</b> Neptunium 93	238 <b>Pu</b> Plutonium 94	238 <b>Am</b> Americium 95	238 <b>Cm</b> Curium 96	238 <b>Bk</b> Berkelium 97	238 <b>Cf</b> Californium 98	238 <b>Es</b> Einsteinium 99	238 <b>Fm</b> Fermium 100	238 <b>Md</b> Mendelevium 101	238 <b>No</b> Nobelium 102	238 <b>Lr</b> Lawrencium 103																																																									

\*58-71 Lanthanoid series  
†90-103 Actinoid series

Key

a	X
b	

a = relative atomic mass  
X = atomic symbol  
b = proton (atomic) number

The volume of one mole of any gas is 24 dm<sup>3</sup> at room temperature and pressure (r.t.p.).

Permission to reproduce items where third-party owned material protected by copyright is included has been sought and cleared where possible. Every reasonable effort has been made by the publisher (UCLES) to trace copyright holders, but if any items requiring clearance have unwittingly been included the publisher will be pleased to make amends at the earliest possible opportunity.

University of Cambridge International Examinations is part of the Cambridge Assessment Group. Cambridge Assessment is the brand name of University of Cambridge Local Examinations Syndicate (UCLES), which is itself a department of the University of Cambridge.